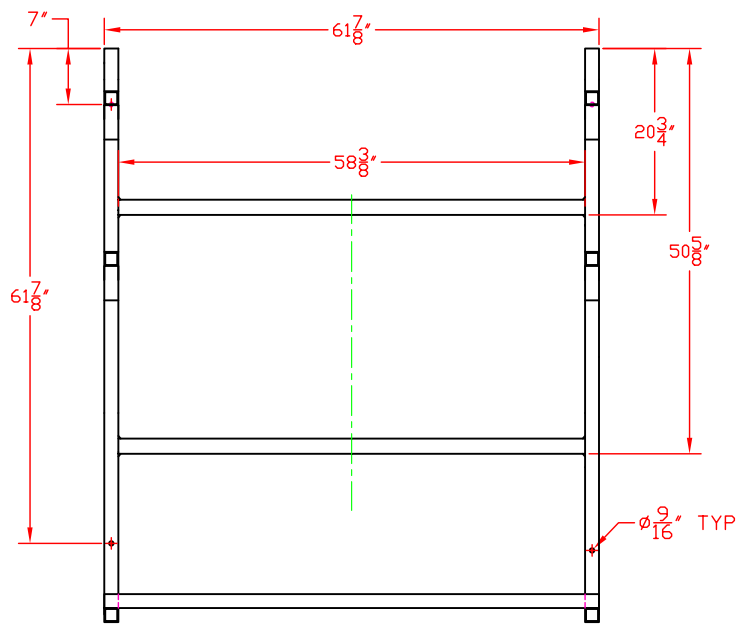
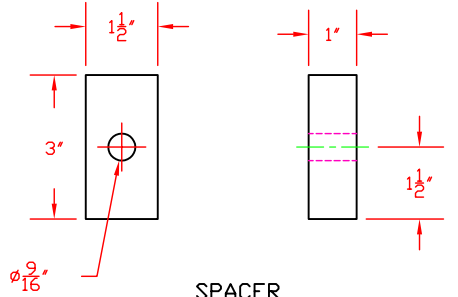
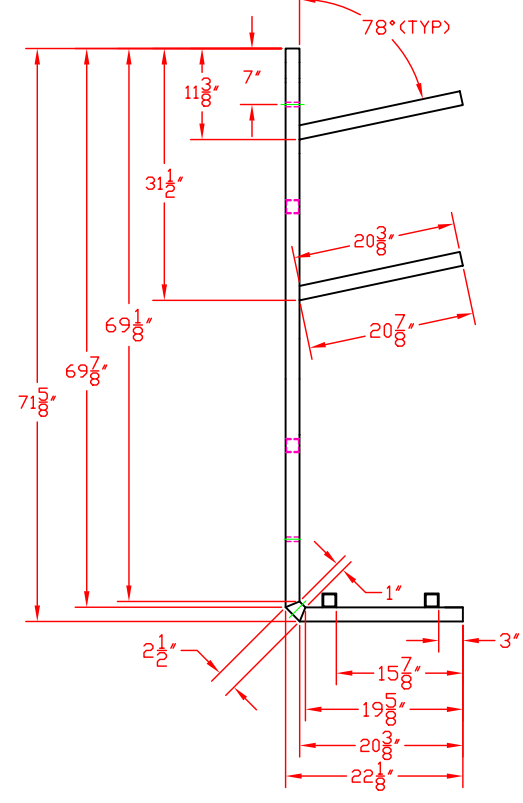


# NEW YORK STATE KAYAK RACK

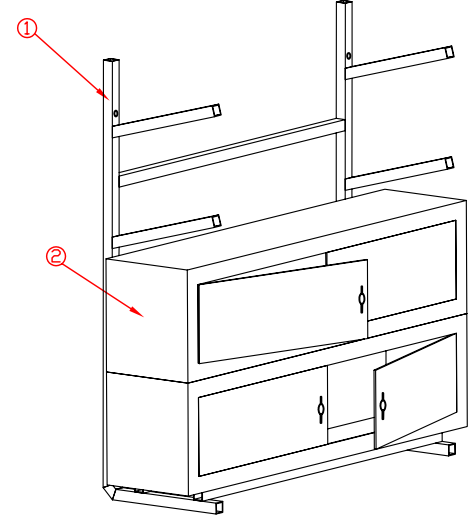
Mark	QTY	Component	Description	Notes
1	44 FT.	FRAME	1-3/4"x1-3/4"x1/8" SQUARE TUBING	STEEL SQUARE TUBING
2	2	STORAGE BOX	MODERN METAL PRODUCTS CUSTOM BOX 72"x18"x16"	STEEL
3	1FT	SPACER	1" THICK X 1-1/2" FLATBAR	ASTM A36
4	4	NUT	18-8 SS MACHINE SCREW NUT	MCMMASTER # 91841A029
5	12	WASHERS	18-8 SS LARGE OD FLAT WASHER	MCMMASTER # 90313A106
6	8	BOLT	1/4"-20 SS HEX HEAD CAP SCREW FULLY THREADED 1" LENGTH	
7	8	CAP PLUG	SQUARE 1-3/4"x1-1/2" FROM CAPPLUGS.COM	CAPPLUGS PART# 99191858



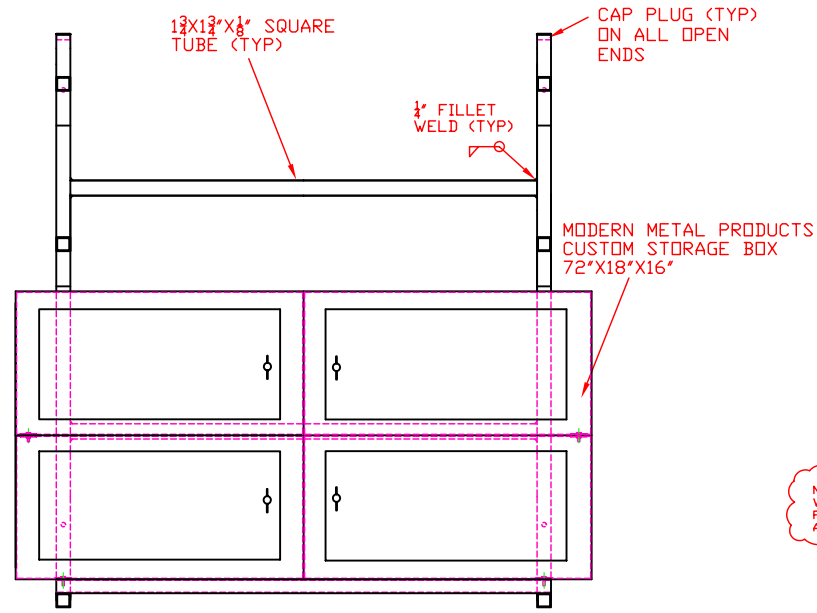
FRAME DETAIL  
SCALE 1/2"=1"



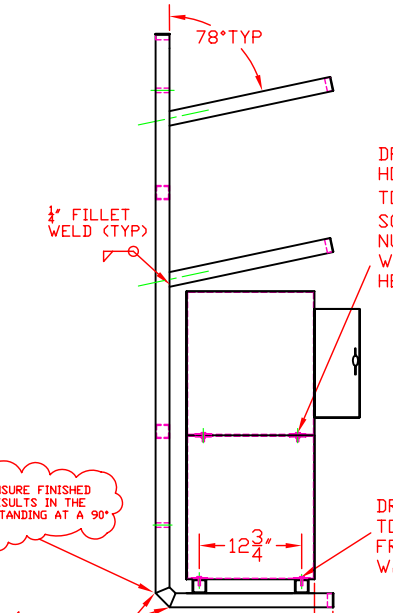
SPACER  
1" THICK FLATBAR  
SCALE: 3"=1"



ISOMETRIC  
NTS



ASSEMBLY  
SCALE 1/2"=1"

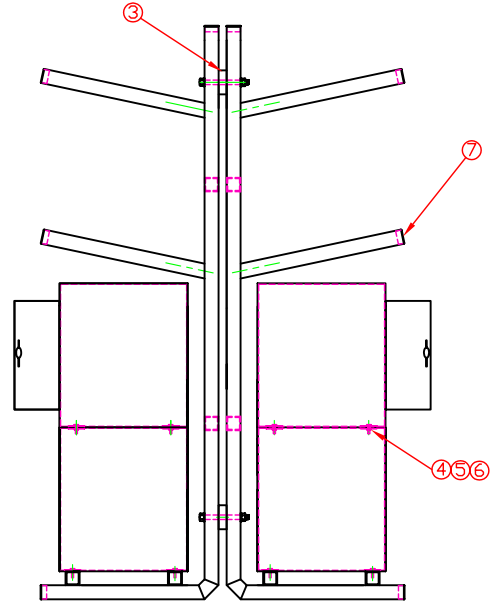


ASSEMBLY  
SCALE 1/2"=1"

DRILL 9/16" CLEARANCE HOLE. SECURE BOXES TOGETHER WITH 1/4"-20 CAP SCREW AND 1/4"-20 MACHINE NUT WITH LARGE OD WASHERS UNDER BOLT HEAD AND NUT (4X)

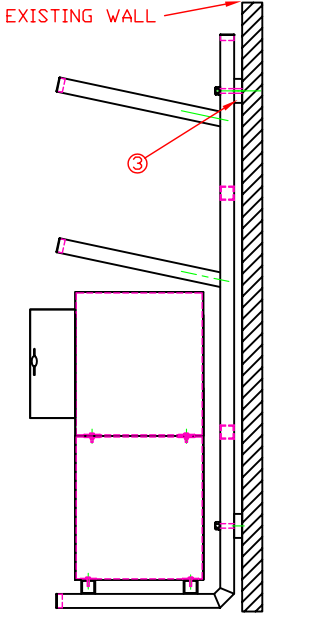
NOTE: ENSURE FINISHED WELD RESULTS IN THE FRAME STANDING AT A 90° ANGLE

DRILL AND TAP FOR 1/4"-20 TO SECURE LOCKERS TO FRAME. INSTALL LARGE OD WASHER UNDER BOLT HEAD



BACK TO BACK

MOUNTING ARRANGEMENTS  
NTS FOR REFERENCE ONLY



ON EXISTING WALL OR POST

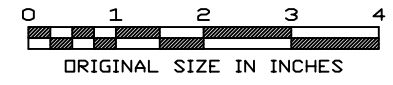
NO	ZONE	REVISION DESCRIPTION	BY	DATE	APPRD.
4	-	REVISED DESIGN	JB	5/23/08	-
3	-	UPDATED BOM	JB	5/20/08	-
2	-	DRAWN WITH SQUARE TUBING	JB	5/16/08	-
1	-	VERSION 2, DIMENSIONS ALTERED	JB	4/4/08	-

N.Y.S. KAYAK RACK

PROPOSED KAYAK RACK FOR N.Y.S.

FABRICATOR: WHITE MARINE INC.  
500 DIVISION STREET  
PERTH AMBOY, N.J. 08861 (800-826-4491)

PREPARED BY: IN CHARGE JW DRAFTER JB  
CHECKED BY JW DATE 1/3/08



DWG. NO.	SCALE	DATE	SHEET
1	AS NOTED	1/3/08	1