



LOGICAL LASTING LAUNCHES

DESIGN GUIDANCE FOR CANOE AND KAYAK LAUNCHES

National Park Service
Rivers, Trails & Conservation Assistance Program
Spring 2004

ACKNOWLEDGEMENTS

The National Park Service wishes to acknowledge the following individuals and organizations who contributed their expertise and resources to the development of this publication:

Written and produced by: Caroline Wolf, Student Conservation Association
with assistance from the WASO Rivers team of NPS Rivers, Trails & Conservation Assistance program:
Chris Brown, Joan Harn, Corita Jones, and Charles Stockman

Ken Allen, Mark Anderson, Jack Andre, Rose Bayless, Karl Beard, Julie Bell, Gary Boughton, Don Bruns, Russ Cohen, Kevin Colburn, Jim Flanagan, Jon Fleischman, Phyllis Garcia, Jill Harding, Mike Harvey, Carol Hunter, Julie Isbill, Kevin Keeler, Scott Keller, Dennis Kincer, Gary Lacy, Roger Lewis, Dana Lockett, Jim Logan, Gary Mechanic, Rich Misplon, Kathryn Nichols, Thomas O'Keefe, Tim Palmer, Stew Pappenfort, Mike Passo, Ken Phillips, Tom Potter, Jason Robertson, Kay Salazar, Michelle Schneider, Nita Settina, Don Smith, Diane Steinbrook, Carl Stockman, Linda Stonier, Angie Tornes, Caroline Tan, Charles Tracy, Reed Waite, Rob White, Thomas Wolf, and Janet Zeller

American Whitewater
Arkansas Water Trust
Chicago Access Project
City of Eureka, California
Colorado State Parks
Delaware Department of Fish and Wildlife
Housatonic River Restoration Project
Hudson River
Illinois Department of Natural Resources
Lower Colorado River Authority
Maryland Department of Natural Resources
Minnesota Division of State Parks
Montana State Design & Construction Bureau
North Carolina Department of Natural Resources
Openlands Project
Rivers, Trails & Conservation Assistance Program, National Park Service
Washington Water Trails Association
Wisconsin Department of Natural Resources
West Virginia Department of Natural Resources

TABLE OF CONTENTS

| | | |
|--|-------|------------|
| ACKNOWLEDGEMENTS | | 2 |
| TABLE OF CONTENTS | | 3 |
| INTRODUCTION | | 4 |
| I. THE ABCs OF LOGICAL, LASTING LAUNCHES | | |
| • <i>What makes a launch logical and lasting?</i> | | 5 |
| • <i>The ABCs, Ds and Es of launch design</i> | | 5 |
| • <i>Location, location, location</i> | | 8 |
| • <i>Considerations for different water bodies</i> | | 9 |
| II. QUICK REFERENCE GUIDE TO LAUNCH TYPES AND USES | | 11 |
| DEFINITION OF TERMS | | 15 |
| III. DESIGNING ACCESSIBLE LAUNCHES IN ACCORDANCE WITH AMERICAN WITH DISABILITIES ACT ACCESSIBILITY GUIDELINES | | 17 |
| IV. SIMPLE LAUNCHES | | 29 |
| <i>(Chapters IV-X follow this outline:)</i> | | |
| A. General description | | |
| B. Materials used | | |
| C. Design specifications/variations | | |
| D. Advantages | | |
| E. Disadvantages | | |
| F. Case examples, designs, photos | | |
| V. FLOATING LAUNCHES | | 35 |
| VI. PIPE AND PILE LAUNCHES | | 56 |
| VII. CANTILEVER LAUNCHES | | 59 |
| VIII. CONCRETE LAUNCH DESIGNS | | 61 |
| RAMPS | | 62 |
| STAIRS | | 67 |
| MATS | | 79 |
| STRIPS | | 83 |
| IX. STAIRWAY VARIATIONS | | 85 |
| X. PORTAGES AROUND DAMS | | 95 |
| XI. LOW-IMPACT DESIGNS FOR ENVIRONMENTALLY SENSITIVE AREAS: GEOTEXTILE MATS AND ELEVATED WALKWAYS | | 105 |
| INDEX OF CASE EXAMPLES, DESIGNS, PHOTOS | | 113 |
| BIBLIOGRAPHY | | 116 |

INTRODUCTION

This publication offers guidance in designing canoe and kayak launches for a variety of access sites. Descriptions, designs, and photos of launches are grouped into eleven chapters, according to type, with focus on the *point of entry* onto the water.

Comprehensive designs for access facilities (e.g., restrooms, parking, and signage) and legal issues are not fully addressed here. Resources for information on these topics and related issues are provided throughout the guide and in the bibliography.

While this guide provides general assistance with choosing suitable launch types for particular sites, each body of water's unique characteristics require individual consideration in regard to launch use and design. Development of any access point should involve local experts who can provide information on legal matters, hydrology and dynamics, riparian ecology, and other relevant factors.

Accessibility to paddlers with disabilities must be considered throughout the design and construction processes. The 1990 Americans with Disabilities Act (ADA) requires that "new construction and alterations of facilities [which include canoe and kayak launch facilities] are readily accessible to and usable by individuals with disabilities." Standards applied to boating and other recreation facilities may be found in the ADA Accessibility Guidelines (ADAAG) issued in 2002. These guidelines are not limited to federally funded facilities; they apply to all public recreation facilities. See Chapter III for more information.

How to use this guide

Chapter I introduces essentials to designing a logical and lasting launch. This chapter presents five important factors to consider when designing a launch and discusses the relevance of location and water body characteristics to choosing an appropriate launch type for a particular access site.

Chapter II provides a quick reference chart to assist with choosing a launch type that can accommodate conditions or characteristics specific to an access site. In some cases, designs can be altered or combined to provide more effective access.

Chapters IV-X provide the following information for each launch type:

- A. General description
- B. Materials used
- C. Design specifications/variations
- D. Advantages
- E. Disadvantages
- F. Case examples, designs, photos - where these launch types have worked!

Chapter XI discusses several design options for access in environmentally sensitive areas.

CHAPTER I:

THE ABCS OF LOGICAL, LASTING LAUNCHES

Considerations for design, location, and type of water body

◇ *What makes a launch logical and lasting?*

A logical, lasting launch provides safe and easy access for paddlers while accommodating the topographic, climatic, and ecological characteristics of its location. Ideally, its construction is cost-efficient and durable and has little impact on the environment and riparian ecology.

◇ *The ABCs, Ds and Es of launch design*

It is important to consider a variety of factors when developing a launch design. Consider the following goals:

Accessible

Best-suited

Cost-effective and Durable

Environment-friendly

Accessible to all paddlers

Paddlers of all abilities want to launch and land smoothly without capsizing or damaging their boats. They need firm surfaces that support their movements and sufficient space to accommodate the length of their boats during put-in and take-out. Paddlers must be able to stabilize their boats during transition to and from the water. Climbing in and out of boats can be especially challenging when there is significant height difference between seat levels and shoreline. Additionally, federal law requires that all boating facilities provide access to paddlers with disabilities whenever possible (*see Chapter III for details*).

General recommendations for designing an accessible launch

- **Height above water:** Between 9" and 2' from highest expected water level
- **Width:** At least 5' wide, preferably 6' to 12'
- **Length:** At least 25' to allow paddlers "dry" access to entire length of their boats
- **Slope:** ADA Accessibility Guidelines require that slopes not exceed 8.33% whenever possible; A slope exceeding 15% will make transition from land to water difficult for any paddler
- **Support:** Handrails or other support structures, including step-down designs or ropes, help paddlers balance their weight during put-in and take-out
- **Location:** Ideally in areas without heavy flow, erosion, exposure to elements, heavy boat traffic, or fragile riparian habitats

Best-suited

The type of launch chosen should be suitable for a particular access location, meaning that it should be the most sensible choice considering the characteristics of the water body, as well as relevant climatic and ecological factors.

General recommendations

A launch that is “best-suited”:

- Is constructed in accordance with any applicable regulations
- Provides safe access, away from potential river hazards, especially at different flow level
- Can withstand flow levels, currents, and exposure to elements at a particular site
- Accommodates paddlers in varying water depths
- Provides a firm surface for launching, despite changes in sedimentation levels
- Will not be easily damaged due to climatic or seasonal conditions
- Does not cause damage to riparian habitats or vegetation during its construction and is unlikely to have environmental impacts over time and through usage
- Is not constructed in an area vulnerable to erosion
- Is constructed with consideration to its intended uses and frequency of use

Cost-effective and Durable

Existing natural sites (e.g., banks, rocks, beaches) are preferable, as they cost nothing to develop; however, they may not be durable and can require reinforcement over time. Minimal construction will keep costs low and help maintain a natural appearance along a shoreline. If construction is necessary, using durable materials reduces the need for later repairs or replacements, yet the speed at which materials weather will depend on climatic factors and level of exposure to currents and winds.

In some cases, existing docks used by motorized boats can provide stable surfaces for paddleboat access, but many standard docks rise too far above the surface of the water to enable a safe and easy put-in for paddlers. Some boat docks may be modified or easily improved to make them more paddler-friendly; for example, they can be lowered, lengthened, or widened. Ramps can be made less steep or step-downs may be added, along with handrails, cleats, or windbreaks. Shoreline features, such as boardwalks and bulkheads, can be combined with floating docks to enable hand-launching.

The Humboldt Bay Trails Feasibility Study is an example of a detailed assessment conducted by the Redwood Community Action Agency of existing launch facilities around Humboldt Bay in Eureka, CA. The study offers recommendations on simple improvements that can be made to launch areas to make them more paddler-friendly. The study can be downloaded online at <http://www.rcaa.org/baytrails/> from the Redwood Community Action Agency’s website.

General recommendations

- Use construction only when absolutely necessary. In many cases, an actual launch structure may not be needed; firm or sandy banks, level rocks, and beaches can often provide sufficient access (*see Chapter IV*); kayakers may only need a hardened bank for access
- Choose access sites with minimal exposure to winds and heavy currents, preferably near calmer areas of water, such as near eddies; if this is not possible, consider creating a vegetative or other type of buffer to provide protection from the elements
- To reduce construction needs and costs, make modifications to existing boat docks or shoreline structures to make them more “paddler-friendly”
- Construct launches that serve multiple purposes, such as mitigating erosion or restoring wetland vegetation; simple ramps or implanted beaches may help to stabilize a fragile bank or provide “soft treatments” while also enabling access

Environment-friendly

Use of low-impact designs and non-toxic materials is essential to watershed health, from protecting water quality, vegetation, and riparian habitats to enabling sustainable recreation. In many states, environmental regulations must be considered prior to, and during, launch construction.

General recommendations

- Investigate any applicable regulations; develop launch designs in accordance with these regulations
- Use structures requiring minimal construction or alteration to the shoreline (*see Chapter XI for information on low-impact designs*)
- Consult with local natural resource specialist during the planning and construction phases to screen for the presence of ecologically sensitive nesting sites, rookeries, spawning areas, or endangered species; an optimal put-in site may not be feasible for ecological reasons
- Merge the needs of natural functions and the desired recreational uses of the water; with rivers and streams, avoid making any channel modifications and preserve in-stream habitats as much as possible
- Monitor watershed conditions and changes in stream morphology continually
- Gather data from local or state agencies that monitor water levels and flows to develop a launch that will accommodate the conditions of the water body over time
- Avoid using hard reinforcements (e.g., concrete, steel, rock) where shorelines are eroding; use bioengineering methods, such as developing a riparian buffer planted with native species, to protect vegetation and habitats and stabilize shorelines while sheltering the launch area from the elements; along streams, wider buffers can allow space for lateral movements and can help to re-establish meander over time -- these methods allow plant species to become self-sustaining and can also improve aesthetics

Additional considerations

Additional factors to consider in launch design are preservation of historic or cultural landscapes, as well as aesthetics. Historic sites may have particular characteristics or regulations that influence where a launch can be constructed or what types of materials may be used. See Chapter XI for an example of environmental assessments conducted to protect an historic canoe launch at Fort Clatsop National Memorial.

◇ **Location, location, location**

Whether or not a launch will be effective and be able to provide sustainable access depends largely upon its location and the characteristics of the water body it is on.

General recommendations

Access is preferable in areas that have:

- Minimal exposure to strong currents and winds, such as river eddies or in a cove or inlet
- No physical barriers, such as impassable sections, dams, or weirs
- Distance from other boat traffic, so that paddlers do not have to cross heavy traffic areas
- Water levels enabling year-round use
- Good water quality
- Little lateral movement that could erode the riverbank
- Visibility from both river and shore, allowing paddlers to locate the launch site easily

Natural resource specialists should be consulted throughout the planning, design, construction, and maintenance phases.

American Whitewater (<http://www.americanwhitewater.org>) provides detailed guidance on choosing and developing access areas, including information on legal considerations, in their *Acquisition & Management Guide*.

The Openlands Project (<http://www.openlands.org>) also offers a *Launch Site Facilities Checklist* (<http://www.openlands.org/template.asp?pgid=185>) that provides useful information on planning for access facilities.

◇ *Considerations for different water bodies: Rivers, Whitewater and Swiftwater Rivers, Tidal Estuaries and Coastal Areas, Lakes*

Rivers

It is best to access a river in an area with little current, located on the inside of a meander bend, or, along straighter sections of a channel, below a meander on the opposite side from a river's cutting side. Areas of heavy flow should be avoided, since strong currents cause wearing on the site over time and can be hazardous to paddlers. Having some movement in the water, however, may prevent excessive sediment accumulation that could cause a canoe or kayak to get stuck. Ideally, there would be a moderate level of deposition that forms a natural beach area suitable for launching.

High/low flow rivers can change character dramatically when water levels fluctuate with seasons or rainfall. For example, water levels can rise rapidly due to spring melting or heavy rains. They can also rise with varying dam releases. Rocks, snags, low trees, and other hazards may be disguised during high flow, making them difficult to avoid; they may also be dangerous to paddlers at low flow. Some rivers turn into mudflats during low flow, which can make access nearly impossible unless there is a firm surface with sufficient water depth for launching.

Meander bends on large floodplain rivers may be temporary features, given the dynamic nature of flows, therefore launch design should take into account possible channel migration over time. Aerial photos over a period of years may be available from the U.S. Geological Survey (USGS) and can be helpful resources in analyzing channel migration.

Federal and state government agencies, such as USGS, the U.S. Army Corps of Engineers, and state water surveys, can usually provide information on average water heights. These are important statistics to know before constructing a launch on any site.

Since no two rivers are identical, building an effective launch will depend on a river's individual characteristics and on a range of topographic, ecological, and climatic factors. Stream channel patterns are impacted by stream flows, sediment depositions, climatic conditions, and landforms. Bank erosion rates, bed stability, slopes, riparian vegetation and habitats also affect a river's structure and behavior. Similarly, no two points along a river are the same. Rivers also change character along their courses and over time; occurrences on one segment affect what happens downstream.

Whitewater and Swiftwater Rivers

Rivers that experience dramatic differences in flow and water level with seasonal changes or varying dam releases require launch areas that can withstand these extreme fluctuations and accommodate paddlers in a wide range of circumstances.

Access to whitewater and swiftwater rivers is preferable near eddies or calmer sections, but heavy flows may still destroy built launch structures in these areas. For this reason, natural shoreline areas that can be easily and cheaply reinforced are typically the best option for launching. Level beaches, flat rock outcrops, and sturdy banks may be sufficient. Some launch structures, such as concrete staircases, may withstand heavy flows provided that undercutting does not cause erosion at the site. Concrete strips can also be used to divert runoff from a launch area (*see Chapter VIII*).

Banks adjacent to bridges, provided that access is permitted in these areas, may provide consistent access during changing flows. Access from the road to these areas are often convenient, and the armoring used to protect bridges can also protect the launch area.

Tidal Estuaries and Coastal Areas

As with rivers, access in coastal areas is preferable in areas protected from waves and winds. Tidal water bodies may experience dramatic changes in water level with the tides. Similar to high/low flow rivers, a deep channel can become a muddy flat within a period of hours. Tidal changes can pose risks to paddlers when rocks or other hazards are exposed in lower water levels. Launches need to be built to withstand tidal fluctuations and possible impacts caused by floating debris or aquatic life carried in or left behind by tidal currents. Materials used to construct launches should be salt-resistant.

Vegetated banks with informal launch and take-out sites can be fragile and subject to trampling by paddlers, who may be unaware of their impact. Rocks or other natural materials may be placed in a way that directs paddlers toward specified launch areas and paddlers can be educated about their impacts. Maintaining natural grasses along these banks will help control erosion and preserve wildlife habitat.

Environmental factors specific to salt water areas should also be considered. For example, the level of sunlight needed by marsh and marine grasses should be taken into account when choosing a launch location or type. Some structures that block light may prevent vegetation from receiving sufficient light for growth. Additionally, using piles or other support structures on sandy estuary bottoms may cause sediment displacement.

Lakes

Built launch structures may not be needed on lake sites where shorelines are less vulnerable to heavy currents and fluctuating water levels. However, access is still recommended in relatively protected areas with minimal exposure and erosion problems. Shallow, marshy areas should be avoided, as they are difficult to navigate and likely to host fragile wetland ecosystems. Lakes can vary greatly in size, character, and behavior. The Great Lakes, for example, behave like tidal water bodies. Launch sites suitable for coastal areas should be considered in these areas.

CHAPTER II:

QUICK REFERENCE GUIDE TO LAUNCH TYPES AND USES

| <u>If you have...</u> | <u>Consider using ...</u> | <u>as long as...</u> |
|---|--|---|
| <p>“Naturally” suitable areas, e.g.:</p> <ul style="list-style-type: none"> ▪ Shorelines with sturdy banks ▪ Stable rock outcrops ▪ Beach areas with firm substrates | <ul style="list-style-type: none"> ▪ Existing site, with slight modifications, if necessary (e.g., adding sand or gravel to improve drainage) | <ul style="list-style-type: none"> ▪ Shoreline or riparian area is not vulnerable to erosion ▪ Space is sufficient to launch and maintain balance |
| <ul style="list-style-type: none"> ▪ An area with minimal current or exposure to elements | <ul style="list-style-type: none"> ▪ Reinforced natural site (<i>see Chapter IV</i>) ▪ Simple gravel ramp ▪ Floating launch ▪ Pipe or pile launch ▪ Cantilever launch | <ul style="list-style-type: none"> ▪ Access is hazard-free ▪ Environmental impact is minimal ▪ Water depth is sufficient for launching |
| <ul style="list-style-type: none"> ▪ Steep shoreline | <ul style="list-style-type: none"> ▪ Step-downs, timber steps, handrails, or rope supports ▪ Connecting structure or structures (e.g., gangways) with floating or pile launch ▪ Timber, concrete, or metal stairs ▪ Added soil to level slope (least favorable choice) | <ul style="list-style-type: none"> ▪ Slope is reduced to enable safe transition to water (and to meet ADA standards, if possible) ▪ Space is sufficient for safe launching |
| <ul style="list-style-type: none"> ▪ Shoreline with slippery slope | <ul style="list-style-type: none"> ▪ Corrugated/aggregate ramp ▪ Added gravel or other surface to provide traction ▪ Concrete mats | <ul style="list-style-type: none"> ▪ Added traction does not prevent access to paddlers with disabilities |
| <ul style="list-style-type: none"> ▪ Steep drop-off from shore | <ul style="list-style-type: none"> ▪ Concrete, timber, or metal steps/stairs with handrails and boat slide ▪ Concrete or other type of ramp with corrugated surface to provide traction | <ul style="list-style-type: none"> ▪ Area is protected from hazards, strong currents, and winds ▪ Launching area at water level is sturdy and provides sufficient space for launching |

| <u>If you have...</u> | <u>Consider using ...</u> | <u>as long as...</u> |
|---|---|--|
| <ul style="list-style-type: none"> ▪ Eroding shoreline | <ul style="list-style-type: none"> ▪ A different site! ▪ Native vegetation, along with gravel or rock, to help stabilize bank ▪ Vegetative or other buffer to protect shoreline ▪ Timber staircase that also reinforces bank | <ul style="list-style-type: none"> ▪ Alternative access locations are not available |
| <ul style="list-style-type: none"> ▪ Marshy areas | <ul style="list-style-type: none"> ▪ Boardwalk or fixed pier <hr/> <ul style="list-style-type: none"> ▪ Elevated walkway leading to floating launch or ladder (<i>see Chapter V</i>) | <ul style="list-style-type: none"> ▪ Construction will not cause damage to wetland habitat or jeopardize integrity of the shoreline <hr/> <ul style="list-style-type: none"> ▪ Walkway is either placed on above-ground supports or uses posts that are not placed too closely to the edge of the bank |
| <ul style="list-style-type: none"> ▪ Bulk-headed shoreline | <ul style="list-style-type: none"> ▪ Floating launch ▪ Implanted beach area (<i>see Chapter IV</i>) | <ul style="list-style-type: none"> ▪ Area is not too exposed ▪ Traffic is not heavy |
| <ul style="list-style-type: none"> ▪ Boardwalk | <ul style="list-style-type: none"> ▪ Floating launch ▪ Concrete ramp | <ul style="list-style-type: none"> ▪ Water depth is sufficient ▪ Area is not too exposed ▪ Traffic is not heavy |
| <ul style="list-style-type: none"> ▪ Launch site is adjacent to a wash or streambed carrying excessive flows and silt deposits | <ul style="list-style-type: none"> ▪ Natural materials to repair launch inexpensively ▪ Concrete buffer strip to break up the impact of flow (<i>see Chapter VIII</i>) | <ul style="list-style-type: none"> ▪ Site is maintained and screened for potential hazards after high flows |
| <ul style="list-style-type: none"> ▪ Environmentally sensitive area | <ul style="list-style-type: none"> ▪ A DIFFERENT SITE!! | <ul style="list-style-type: none"> ▪ Alternative sites exist |
| <ul style="list-style-type: none"> ▪ Environmentally sensitive area that is the ONLY possible access location | <ul style="list-style-type: none"> ▪ Materials with least toxicity and require the least disruption during installation ▪ Elevated walkway to protect riparian areas and allow vegetation to grow (<i>see Chapter V</i>) | <ul style="list-style-type: none"> ▪ Natural resource specialist, (and any relevant agencies) are an integral part of site planning, construction, and maintenance ▪ Integrity of shoreline is not jeopardized |

| <u>If you have...</u> | <u>Consider using ...</u> | <u>as long as...</u> |
|---|--|---|
| <ul style="list-style-type: none"> Budget constraints | <ul style="list-style-type: none"> Simple launch using native materials Makeshift construction (consider aesthetics here) Pile or pipe launch | <ul style="list-style-type: none"> Site safety, environmental health, and sustainability of launch is not compromised by using low-cost materials |
| <ul style="list-style-type: none"> Silt problems/low flow | <ul style="list-style-type: none"> Pile, pipe, or cantilever launch that extends to an area of sufficient depth/flow | <ul style="list-style-type: none"> Area is protected from hazards, strong currents, and winds |
| <p>In the following circumstances, floating launches can be effective as long as: <i>(see Chapter V)</i></p> | <p>1) At least 9" exists between the launch and the highest water level</p> <p>2) Water level changes are not too rapid or dramatic</p> | <p>3) Water depth is sufficient for launching</p> <p>4) Launch is removed during freezing or flooding</p> |
| <ul style="list-style-type: none"> Fluctuating water levels or tides | <ul style="list-style-type: none"> Floating launch Beach area or sturdy bank <hr/> <ul style="list-style-type: none"> Pile or pipe launch | <ul style="list-style-type: none"> Current is not too strong Water depth is at least 2' to 3' <hr/> <ul style="list-style-type: none"> Water level remains below height of deck at all times |
| <ul style="list-style-type: none"> Periodic flooding | <ul style="list-style-type: none"> Removable floating launch or ramp (aluminum/metal) <hr/> <ul style="list-style-type: none"> Concrete stairs that can be easily maintained | <ul style="list-style-type: none"> Launch is removed when flooding occurs and before mudflats are exposed <hr/> <ul style="list-style-type: none"> Location is not vulnerable to damage by excessive debris or currents |
| <ul style="list-style-type: none"> Shallow water | <ul style="list-style-type: none"> Pile or pipe launch extending to deeper water Gangway or other connecting structure attached to floating launch | <ul style="list-style-type: none"> Structures are installed with minimal disturbance to wetlands; non-toxic or treated materials used |
| <ul style="list-style-type: none"> Busy launch area shared with motorized boats | <ul style="list-style-type: none"> Floating launch | <ul style="list-style-type: none"> Launch is located away from heavy motor boating traffic |
| <ul style="list-style-type: none"> Icing | <ul style="list-style-type: none"> Removable or modular launch, such as a floating or pipe launch Pile launch made of alternative wood product that will not damage in ice | <ul style="list-style-type: none"> Launch is removed before freezing begins Launch is monitored throughout ice season |

NOTES

DEFINITION OF TERMS

- **Abutment:** A masonry structure that supports pressure of an arch or bridge; *for purposes of this guide:* a wedge-shaped anchor that connects the end of a floating launch with the top of a launching ramp or connecting structure
- **Aggregate:** Sum of many heterogeneous things taken together; *for purposes of this guide:* a combination of materials (e.g., sand, gravel, slag) mixed with a cementing material to form concrete, mortar, or plaster; helps to increase traction
- **Bioengineering:** The use of live plants and plant parts as building materials for erosion control and landscape restoration
- **Buffer strip:** Strip of vegetation implanted along a stream or other water body that offers protection to a vulnerable area of shoreline from climatic elements and currents
- **Bulkhead:** A retaining wall along a shoreline or waterfront
- **Cleat:** A fitting device where a rope may be tied to provide support or anchoring; frequently has two projecting parts
- **Fender:** A protective device used on the edges of a launch to lessen shock and prevent damage to boats
- **Gabion:** A strong and flexible steel wire cage, filled with rocks, designed to abate erosion; may also house macro-invertebrates and provide shade and eddies for fish habitats
- **Gangway:** A removable passageway of planks enabling continuous access; often used to connect two structures or to connect a launch or other structure to the shoreline
- **Pile:** A long, slender column, typically made of timber, steel, or reinforced driven into the ground and used as a support for a launch or other horizontal platform
- **Pile guides:** Anchored pile holders that allow for vertical movement of a floating launch while maintaining its connection to another structure or shoreline anchor; are typically hoops made of welded steel bolted or welded to the frame of a launch
- **Ramp:** A sloped surface enabling traffic to move from one level to another; a slope for launching boats
- **Rebar:** Rod of steel placed into concrete as a reinforcement
- **Rip-rap:** A foundation or retaining wall made of stones, used to prevent erosion, that is often placed on or around an embankment
- **Stringers:** Support devices, usually made of wood, aluminum, or steel, used as a series of uniform pieces, to reinforce decking on a launch structure

NOTES

CHAPTER III:

DESIGNING ACCESSIBLE LAUNCHES IN ACCORDANCE WITH AMERICANS WITH DISABILITIES ACT ACCESSIBILITY GUIDELINES

The 2000 U.S. Census reports that over 49 million Americans have one or more disabilities and that a significant number of these individuals participate in outdoor recreation activities including canoeing, kayaking, and other boating activities.

In 1990, in order to provide an equal opportunity for individuals with disabilities, Congress enacted the Americans with Disabilities Act (ADA). The ADA mandates that individuals with disabilities must be given an equal opportunity to access public facilities and that reasonable accommodations must be made to account for physical and mental limitations of individuals with disabilities.

Guidelines for newly designed, constructed, and altered recreation facilities issued by the ADA in 2002 require that all public boat launches, *which include fixed and floating structures of all sizes*, comply with ADA Accessibility Guidelines (ADAAG) standards. Copies of ADAAG for recreation facilities are available online at <http://www.usdoj.gov/crt/ada/stdspdf.htm> and may be downloaded as an Adobe PDF file.

This chapter addresses ADAAG standards that apply to launch structures and does not discuss operational issues related to boating facilities, such as accessible parking, exterior routes, and restroom facilities. *A Guide to Boating and Canoe Access Development in Illinois* (IL DNR, 1998) provides information on developing accessible land-side facilities. Accessibility recommendations for trails and access routes may be found at <http://www.access-board.gov/outdoor/outdoor-rec-rpt.htm> in the Access Board's *Proposed Guidelines for Outdoor Developed Areas*.

When providing an equal opportunity for participation in boating activities, different types of disabilities must be taken into account. Physical disabilities necessitate reasonable modification of the structural environment to provide access to the shore or launch site, as well as the watercraft. Developmental disabilities necessitate methods of effective communication to provide directions to sites and instructions for safe usage; these may include signage and alternative formats for informational materials.

Due to fluctuating water levels and varying terrain at different access sites, innovative ways to adapt or customize launch sites may be needed. This chapter discusses important considerations that must be made when providing access for paddlers with disabilities.

The Access Board, which develops and maintains criteria for accessibility, provides basic design requirements for recreation and recreation facilities through the following three websites:

- <http://www.access-board.gov/recreation/final.htm>
- <http://www.access-board.gov/recreation/guides/boating.htm>
- <http://www.access-board.gov/adaag/html/adaag.htm#15.2%20Boating%20Facilities>

Access Board Guidelines for Boat Launches

The Access Board's guidelines for accessible recreation facilities are as follows:

ADAAG require that boat launches be equipped with at least one accessible route to boat launches that complies with ADAAG standards for:

- location
- width
- passing space
- head room
- surface slope
- level changes
- doors
- egress
- areas of rescue assistance

ADAAG standards *must be met* if the accessible route connects a fixed launch to the shore or if the accessible route connects a fixed launch to another fixed structure, unless they are modified by specific provisions outlined by the Access Board.

Exception: Gangways connecting floating structures

If the accessible route uses a gangway connecting to a floating structure, exceptions to ADAAG may be made to accommodate varying water levels and other factors. Gangways should be designed with the least possible slope and, if possible, designed so as not to exceed a slope of 8.33% or a ratio of 1:12. Since the slope of a gangway will rise and fall with changing water levels, its slope may, in some cases, exceed 8.33%. This is acceptable as long as the gangway is at least 30 feet long. Gangways are required to be at least 80 feet long if the vertical distance between the lowest water level and the point where the gangway connects to land is 10 feet.

Any other sloped surface must comply with ADAAG requirements:

Transition plates

These are sloped surfaces located at the end of a gangway. If the slope of a gangway is greater than 1:20 (or 5%) it must be equipped with a landing at the non-gangway end of the transition plate and comply with ADAAG ramp requirements.

Handrails

Handrails are required on sloped surfaces that have a rise of less than 6 inches or a projection less than 72 inches, or a slope of 1:20 (5%) or less. Since the surface may be moving with changes in the water handrail extensions do not need to be parallel to ground or floor surfaces.

Cross slope

The cross slope of a structure refers to the slope perpendicular to the structure's "running" slope or slope spanning the length of the structure. The cross slopes of gangways, transition plates, and floating piers that are part of an accessible route must be designed and constructed to not exceed a maximum of 2% or a slope of 1:50. Gangways and piers that are part of an accessible route are expected to be designed and constructed to meet the 2% requirement. Once placed in the water, measurements, absent live loads, are to be made from a static condition (i.e., absence of movement that results from wind, waves, etc.). Where floating piers are grounded due to low water conditions, slope requirements would not apply.

While many launches built prior to ADA's issuing of accessibility guidelines are not accessible to paddlers with disabilities, they may be retrofitted with features that make them accessible.

When designing or retrofitting a launch to meet ADAAG, it is important to ensure that design alterations do not prevent paddlers without disabilities from also using them. It is possible that placement of handrails or other modifications made for accessibility can prevent able paddlers from using them. Launch designs should consider the needs of all paddlers.

Design considerations from a paddler's point of view

Michael Passo, an experienced paddler who uses a wheelchair, recommends the following design accommodations in order to provide access for paddlers with disabilities:

Access route

Surface, grade, width, and cross slope need to be as accessible as a particular location will allow. Surface should be as even and level as possible (not exceeding 8.33% slope or 2% cross slope) and without gaps or interruptions. The route should be clearly marked.

Level and stable landing/loading area

There should be an area adjacent to the loading area that is level, stable, and at least 60" x 60". This can be anywhere adjacent to the loading area, including in water up to 12" deep. An accessible back country canoe launch might incorporate a large, flat rock surface (provided that it is not slippery) that is 8" to 12" under the surface of the water and has a gradual access route made of native soil. The transfer from a wheelchair on that rock to a floating canoe could be nearly level.

Transfer assistance

The greatest challenge to using a launch, once a paddler is beside the canoe, can be getting down into the seat of the boat. Whether it is on a highly developed launch or the bank of a lake, it is difficult to transfer to a moving boat. Making the transfer easier will help paddlers considerably.

Options to facilitate transfer from the launch area into a boat include:

- A **transfer step** or moveable structure approximately 8" to 12" high that assists paddlers who have difficulty bending or squatting and provides wheelchair users with an intermediate step between their chair and the ground. A carpet-covered box or large, stable rock may be used.
- A **transfer board** is a board that slides out from the launch, over the top of the canoe, and allows a person to slide out over the canoe before sitting down on the seat. If located at gunwale level, it can both support a person's weight and stabilize the boat as legs are moved around and adjustments are made.
- **Overhead handles, grab bars, etc.** The transfer between land and boat can be extremely difficult to maneuver, especially when moving from a canoe seat to a higher launch platform. Alternative grab points can mitigate the complicated procedure of getting oneself onto a launch from a boat so that the boat is not the sole anchor point.
- **Surface textures** on a launch, including those added to provide extra traction, should be practical for wheelchair use. Surface gaps should not exceed 0.5" since the widths of most wheelchair tires and caster tires are between 0.75" and 1". Innovations in adaptive gear, which include devices to improve traction and maneuverability, do exist and can make off-road surfaces much easier to navigate. Nevertheless, launches should be built to accommodate basic wheelchair treads. The website <http://www.titaniumarts.com> offers commercial examples of adaptive gear.

Passo also recommends the book *Canoeing for Disabled People* by Geoff Smiley as a useful resource on accessible designs (see *Bibliography*).

ADA accessible launches: Case examples, designs, photos

1) Bonnie Gool Guest Dock, Humboldt Bay, Eureka, California

Built about 10 years ago, the Bonnie Gool Guest Dock maintains a consistently accessible slope of 8.33% for about 90 percent of the time. Only during extreme low tides does the slope become too steep. The launch is composed of several connecting parts. A fixed dock at the shoreline connects to an intermediate approach ramp at a 90 degree turn. This intermediate ramp, designed to be flexible, has a “certain” elevation, meaning that its slope will never exceed 8.33%; it is secured with locks and piles that give it a set minimum height. The ramp is surfaced with non-skid, expanded metal (aluminum alloy) that provides traction when the slope becomes steep; it connects to a floating launch at a 90 degree turn.



Photos 3A, 3B: An approach ramp, with a fixed slope of 8.33%, connects floating launch to the shore



Photos courtesy of Gary Boughton, City of Eureka

The following designs show details of the Bonnie Gool Guest Dock, as built:

DIAGRAM 3A: North elevation, Bonnie Gool Guest Dock

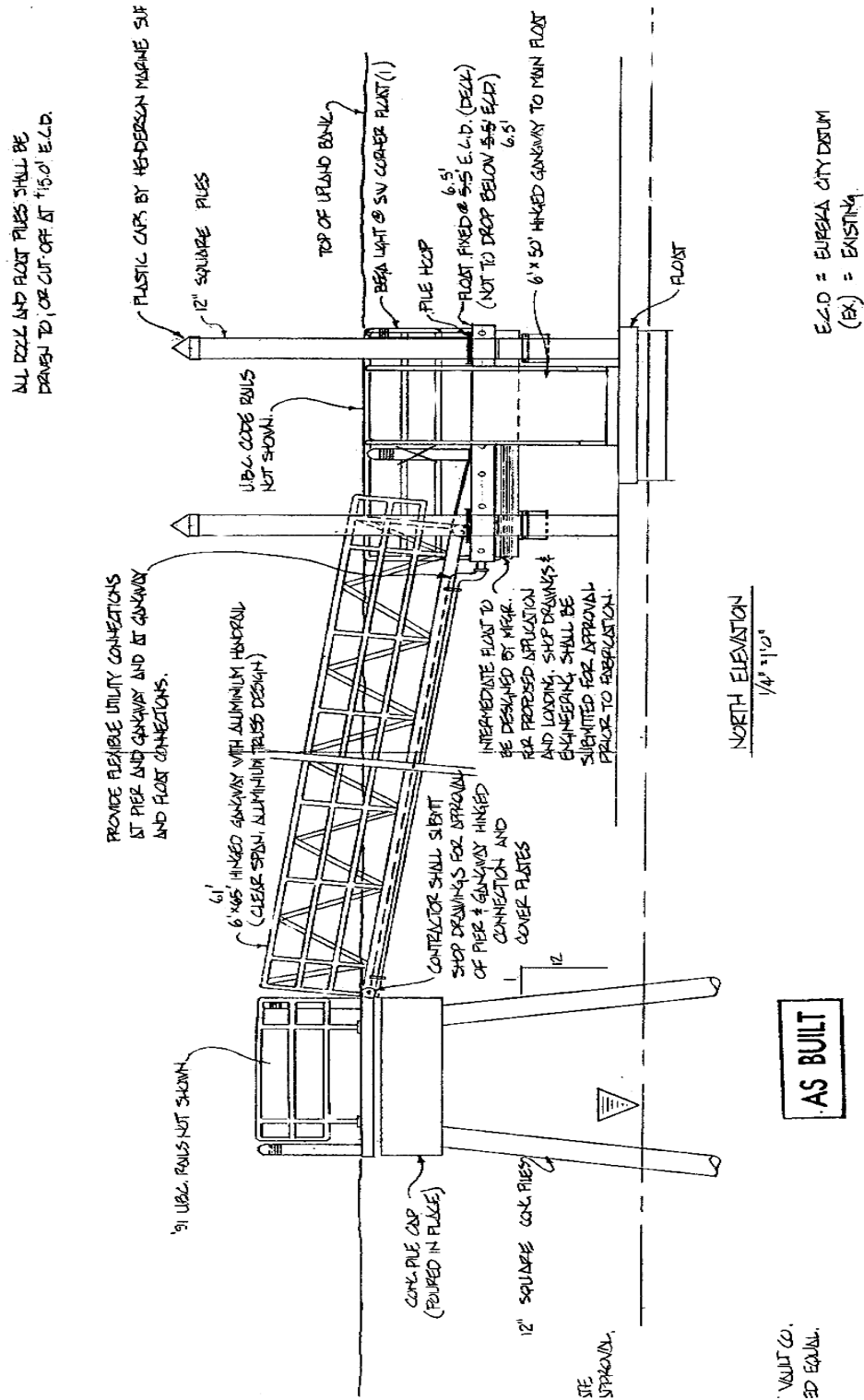
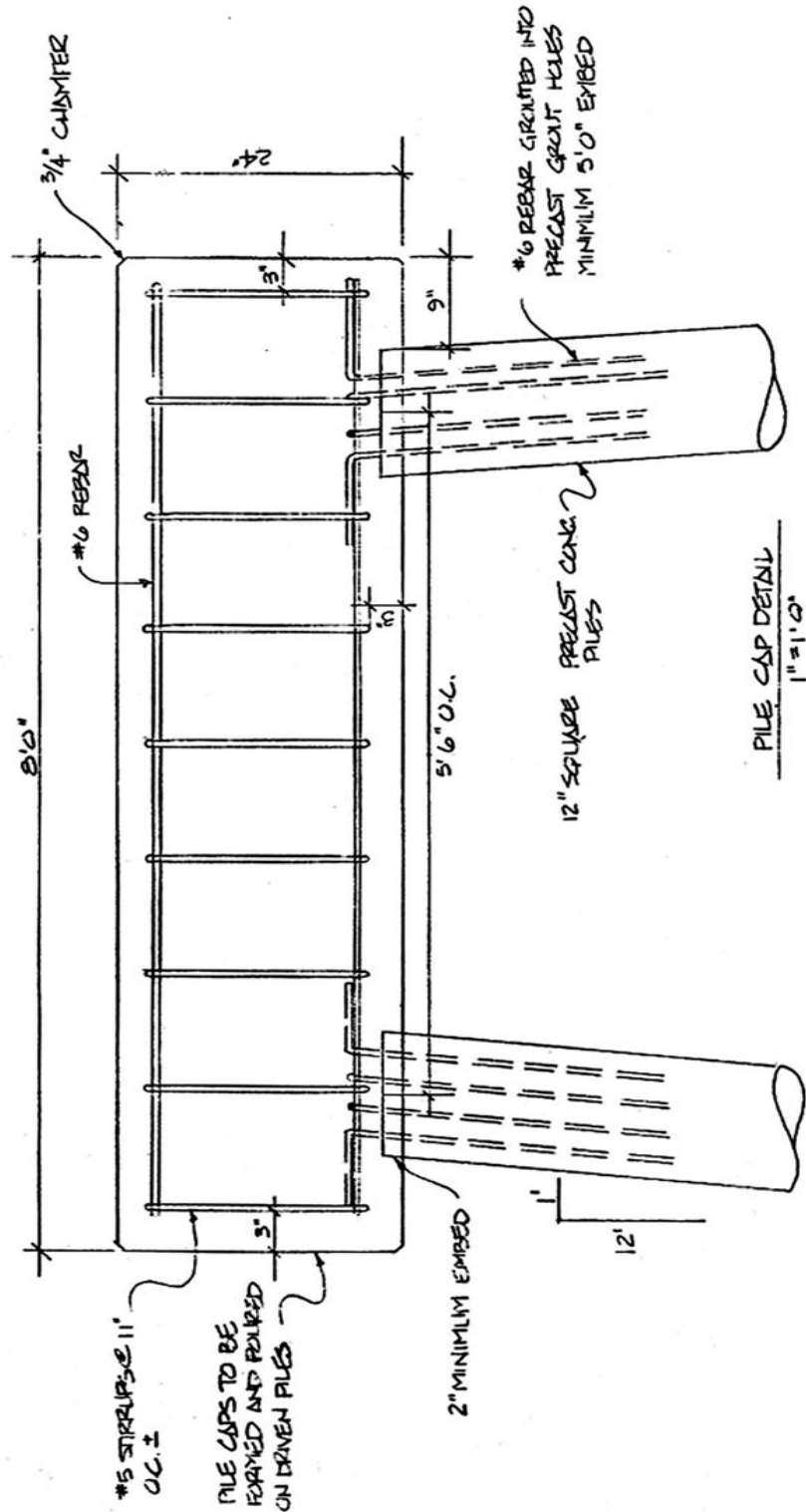


DIAGRAM 3D: Pile cap detail, Bonnie Gool Guest Dock



2) Canoe launch, Camp For All, Burton, Texas

Situated on an 8-acre lake, this launch provides access for children with disabilities. The 20' x 16' wooden structure attaches to a concrete surface on the shoreline via an aluminum gangway approximately 12' long. Two 3.5' tapered ramps allow canoes to slide up onto the launch, easing transition to the water for those in wheelchairs. A railing around the perimeter of the launch, made of double 2' x 4' wooden pieces, helps keep wheelchairs from sliding off the launch and also provides an anchoring device for boats.



Photos courtesy of Roger Lewis
Lower Colorado River Authority

Photos 3C, 3D: ADA accessible wooden floating launch has two tapered ramps that allow canoes to slide up onto the deck



3) "F" Street Floating Dock, Humboldt Bay, Eureka, California

The "F" Street floating dock is one of several launch structures on Humboldt Bay that provides access to paddlers with disabilities. An aluminum gangway just over 80' long connects to a floating launch made of treated wood and concrete floats. Galvanized steel connectors hold the dock's components together. Concrete floats provide maximum stability and are extremely durable (see Chapter VIII).



Photo courtesy of Gary Boughton, City of Eureka, CA

Photo 3E: Aluminum gangway serves as a ramp to floating launch

NOTES

CHAPTER IV: SIMPLE LAUNCHES

Natural and Existing Shorelines, Beaches, and Simple Ramps

A. General Description

The simplest and most cost-effective launches require little or no construction. Paddlers may use “natural” features (e.g., riverbanks, rock outcrops, banks adjacent to bridges) or existing shorelines with decks, bulkheads, or boardwalks. Any of these can suffice as long as: currents in the area are not too strong, water depth allows for stable launching without damage to boats, and the vertical space between the shore and surface of the water is not excessive. Paddlers must also have enough space to place their boats in the water and easily step in or out of them.

B. Materials

- Native soil, sand, gravel, or vegetation may be added to improve drainage and control erosion; fist-sized rip-rap can be added to trap sediment and fill in over time
- Natural materials, unique to a particular area, may blend with the natural landscape and be most easily accessible (e.g., in the Chesapeake Bay region, native crushed oyster shells may be used to reinforce surface landings)
- Flat rocks can sometimes provide firm surfaces, however pointed or jagged rocks are not recommended, as they are unstable surfaces that can damage boats or injure paddlers
- Beaches with firm substrates; matting can be used to temporarily stabilize a sandy beach
- Gravel can be used to form simple ramps, preferably in areas of minimal wave action or water level fluctuation
- Braided rope, tied to a tree or other shoreline anchor, can serve as a makeshift handrail
- Existing shoreline configurations (e.g., bulkheads, boardwalks, uneven rocks) can be converted into beach areas by adding firm sand substrates and/or gravel; these are called “implanted” beaches

C. Design variations/specifications

- Graded banks are preferable, 12' wide at water line tapered to 9' wide at top by 15' long (length will depend on water levels and shoreline stability)
- Launch area should be at least 20' at sites that are used for both rafting and paddling
- Preferred slopes meet ADA accessibility standards of 8.33%; slopes should not exceed 15%
- Water level should be deep enough to enable launching without damaging boat (preferably at least 2'); kayakers may want at least 4' to permit rolling

D. Advantages

- Cost-effective/low maintenance -- native materials can be easily added or shifted to suit needs and changing conditions of launch area
- Less environmental impact due to little or no construction
- Can be combined with simple construction to restore habitats or control erosion
- Aesthetically pleasing; minimal visual alteration to natural shoreline
- Shorelines and beaches provide can provide easy anchorage

E. Disadvantages

- May not be accessible to physically challenged paddlers
- May not be consistently accessible due to varying flows, water levels, amount of exposure, or climatic factors
- Can be slippery or difficult to manage when wet
- Can be steep
- Could cause damage to wetland habitats, depending on frequency of use
- Not easily spotted from rivers - paddlers may pass them by if there is no signage or clear indication of the access site
- Gravel ramps can erode easily and can scratch boats if paddlers do not land properly
- Chemicals from railroad ties or treated wood may pollute water where leaching occurs

F. Case examples, designs, photos

- 1) Rincon launch site, Arkansas River, Salida, Colorado



Photo by Caroline Wolf

Photo 4A: Rocky beach provides river access

2) Clear Creek, Golden, Colorado



Photo 4B: Kayaker launches from a level bank

3) Clear Creek, Golden, Colorado



Photo 4C: Kayaker prepares to launch from flat rock outcrops

Photos by Caroline Wolf

4) Missouri River, below confluence with Niobrara River, Nebraska



Photo by Tim Palmer

Photo 4D: Sandy beach provides access to the river

5) Sauk River, Washington



Photo by Thomas O'Keefe

Photo 4E: River is accessible from a gravel road

6) Delaware River, Narrowsburg, New York



Photo by Tim Palmer

Photo 4F: Canoes are easily launched from a sandy bank

7) Restored river bank, Arkansas River, Salida, Colorado



Photo by Caroline Wolf

Photo 4G: Restored bank with rock outcrops enables access at varying water levels

NOTES

CHAPTER V: FLOATING LAUNCHES

A. General description

Floating launches are structures that provide access while floating on the water. Typically composed of a deck, frame, and floats, they are anchored to the shore. Paddlers launch from the deck, which is supported by the frame, while the floats beneath the frame provide buoyancy. Anchoring devices help to stabilize the launch and protect it from the elements. Pile guides are often used, permitting launches to adjust to changing water levels while keeping their decks horizontal and steady. When floating launches attach to connecting structures with varying heights(e.g., gangways), pile guides can help to maintain a relatively small cross slope, making launches more likely to be accessible to paddlers with disabilities.

Floating launches are most effective when used on water with little debris and minimal exposure to strong currents or waves. In general, they can withstand flow rates up to 0.25 feet per second, although those launches using stronger anchors may be able to handle stronger flows. Floating launches should be removed during flooding, however, and, unless they are specifically designed to endure ice formation, they should be removed before any freezing occurs.

B. Materials

A variety of materials may be used for decks, frames, and floats:

1. Decks

- Wood is simple and inexpensive to use; pine, redwood, cedar, and cypress are common choices but will rot unless treated with a preservative (*see notes on treated wood below*)
- Metal decking, such as aluminum, is used mainly for heavy-use launches that also serve motorized boats; metal grating provides effective drainage and traction
- Alternative materials include wood/plastic composites, vinyl, and various plastics made of recycled materials that are made to look like wood; these materials can be more expensive and usually require additional support devices, but they are more resistant to damage and warping than wood and will require less maintenance

2. Frames

- Wood is often used, but will last only 2 to 3 years if untreated
- Metal, either lightweight aluminum or galvanized metal
- Plastic, which will not decay in water as rapidly as other materials
- Steel tubing may be used both as floats and frames; attaches to deck with brackets; steel can be coated to increase durability

3. Floats

- Polyethylene, the most frequently chosen plastic, can function as both frame and float; they may have grooves and brackets that attach easily to shoreline structures or floats may have built-in cleats, which facilitate anchoring

*Since additives used during manufacturing many types of plastics may affect their durability, the durability needs for the launch site should be considered when choosing materials.

- When expanded polystyrene foam (EPS) is used, the best choice is the extruded closed cell (Styrofoam is a common brand name) because it has the strongest inner structure; it must be used with a protective covering to prevent damage from chemicals, water, and debris
- Plastic float drums made of rotationally molded polyethylene are more durable than EPS and provide protection from impact damage, animals, and the effects of solar radiation; these are most effective when filled with EPS, which act as shock-absorbers and protect drums from losing buoyancy if damaged
- Fiberglass float drums are not as strong as plastic float drums or as readily available, but they are lightweight and also have resistant qualities
- Foam-filled tires provide effective stabilization in areas with heavy debris or current; these can be made of recycled tires filled with EPS and capped with plywood; commercial versions are available, which are more reliably sealed and attached
- Recycled 50-gallon cooking oil drums can also be used but must be cleaned professionally to safeguard against contamination; *motor oil drums should never be used*
- Concrete floats are sturdy and stable but also costly and heavy
- High-density polyethylene (HDPE) can be used for both flotation and for framing

* This information is provided by the U.S. Forest Service publication entitled *Floating Trail Bridges and Docks*, which is available online at <http://www.fs.fed.us/na/wit/WITPages/bridgcatalog/materials/index.htm>

Treated Wood

When using any type of treated wood, serious caution should be taken in regard to the environment and to the health of those involved in construction. While treated wood can last up to five times as long as untreated wood, it is important to understand the risks involved in using different wood preservatives and chemical treatments. The USFS publication mentioned above includes details about treated wood (see pp. 5-6) as does the Student Conservation Association publication, *Lightly on the Land*. Additionally, the Western Wood Preservers Institute (<http://www.wwpinstitute.org/pdffiles/bmpsinaquatic.pdf>) offers best management practices for using treated wood.

Several manufactured materials made to look like and act like treated wood provide non-toxic alternatives. Trex (<http://www.trex.com>) is one popular commercial choice. It is not as structurally rigid as wood and will need more support. For example, if a 2' x 6' planking needs support every 2', then an alternative material such as Trex may need a support approximately every 16" to 18". Another factor to consider is expansion and shrinkage. While wood swells and shrinks across the grain with moisture gain or loss, respectively, Trex may expand and shrink in all dimensions.

C. Design variations/specifications

A floating launch:

- May be used in combination with bridges, gangways, fixed piers, or bulkheads to enable paddlers to put-in at water of sufficient depth; any of these structures may be attached with hinges and used across shallow areas to provide access to a floating dock; they should have slopes of less than 20 degrees (or no more than 8.33% to meet ADA accessibility) and should remain horizontal at high water levels; they provide maximum stability when equipped with handrails
- May be used in combination with elevated walkways or geotextile mats in environmentally sensitive areas, in order to prevent damage to riparian areas (*see Chapter XI for further information*)
- May be used in combination with motorized boat ramps to enable hand-launching
- Needs a deck that rises at least 2 feet above water to enable safe access
- Should float on at least 3 feet of water
- Should not rest too high above the surface of the water, as this can make transitions from canoes and kayaks difficult

D. Advantages

- Adjusts to fluctuating water levels - (it's always the "right" height)
- Provides a sturdy surface, as a solution to unsafe conditions or inconvenient access
- Has few long-term environmental effects
- Is easily removable in inclement weather or heavy flows, therefore requires less maintenance and may last longer
- Provides an alternative to gravel ramps that will erode in areas of strong waves or currents
- Is easy to purchase and assemble; allows for flexibility in design
- When wet, is not as slippery as lacuches with sloped surfaces
- Is unlikely to scratch boats
- Keeps feet dry during cold weather paddling

E. Disadvantages

- Not "appropriate" for all access locations; use should be limited to areas where: the minimum water depth at all times is 3 feet, changes in water level are slow and long-term, and there is minimal exposure to the elements
- May not consistently meet ADA accessibility guidelines, since slopes of connecting structures may alter with changing water levels; locks and piles may be used in some situations to create a "certain" elevation or minimum height for a structure that will not deviate - this keeps the cross slope to a minimum
- In order for the launch to be in water of sufficient depth, it may be exposed to stronger currents than it can withstand; additional structures may be needed
- The anchoring process must be carefully considered, as it must take into account particular climatic and site conditions; when placing anchor piles, the combination of wind, wave, current, and impact forces should be accounted for
- Not effective for use in areas where tidal fluctuations are rapid and extreme; floats may be "beached" at low tide or floats can disrupt sediments as they rise with high tide

F. Case examples, designs, photos

1) Newport Boat Ramp, Christina River, Newport, Delaware

Problem: This site on the Christina River, a tidal river flowing into the Atlantic Ocean, was initially accessible from a 32' wide x 105' long concrete ramp that connects to a concrete anchor pier. The site experiences heavy traffic from both paddlers and motorized boaters, and the shoreline at the access area has a steep slope of approximately 30 percent grade making it difficult to transport boats to the water.

Solution: The concrete anchor pier and ramp remain at the site and two parallel transfer plates have been connected by 3" hinges to either side of the ramp, along its longer edge, allowing for easier access to the water and increasing the amount of launching space. One of the plates, which is composed of three aluminum sections (two sections are 21' 3" long and one is 27' 9" long), is 8' wide and a total of 70'3" long and provides an accessible route, with an 8.33% 1:12 or slope, to an aluminum floating launch serving both paddlers and motorized boaters. The 32' x 10' aluminum floating launch, which has a 10' x 4' inset designated as a canoe station, is located about 12' from the shoreline (at low tide) in an area with a minimum water depth at low tides of 4' to 5'. The canoe station is built on the back side of the launch, where the area is protected from heavy currents, so that paddlers can launch separately from other boaters.

Delaware DNR has used this type of launch for about 15 years and has found that it requires relatively little maintenance, as aluminum can be welded relatively inexpensively every few years to reinforce areas that have worn. Floating launches are removed each year before the first icing, however several structures remain on the water year-round to accommodate waterfowl fisherman. Delaware DNR has retrofitted several launches, using similar aluminum designs, to accommodate more paddlers, including those with disabilities.

Specifications:

Deck: 9" thick ribbed, marine-grade aluminum (treated alloy 60-61 with salt protection)
2" square tube stringers

Frame: Treated pine fender; 3" square curbing at canoe station

Floats: 15" and 18" pontoons filled with urethane foam
supported by 24" x 7'6" pontoon at its base

Anchors: Pile guides

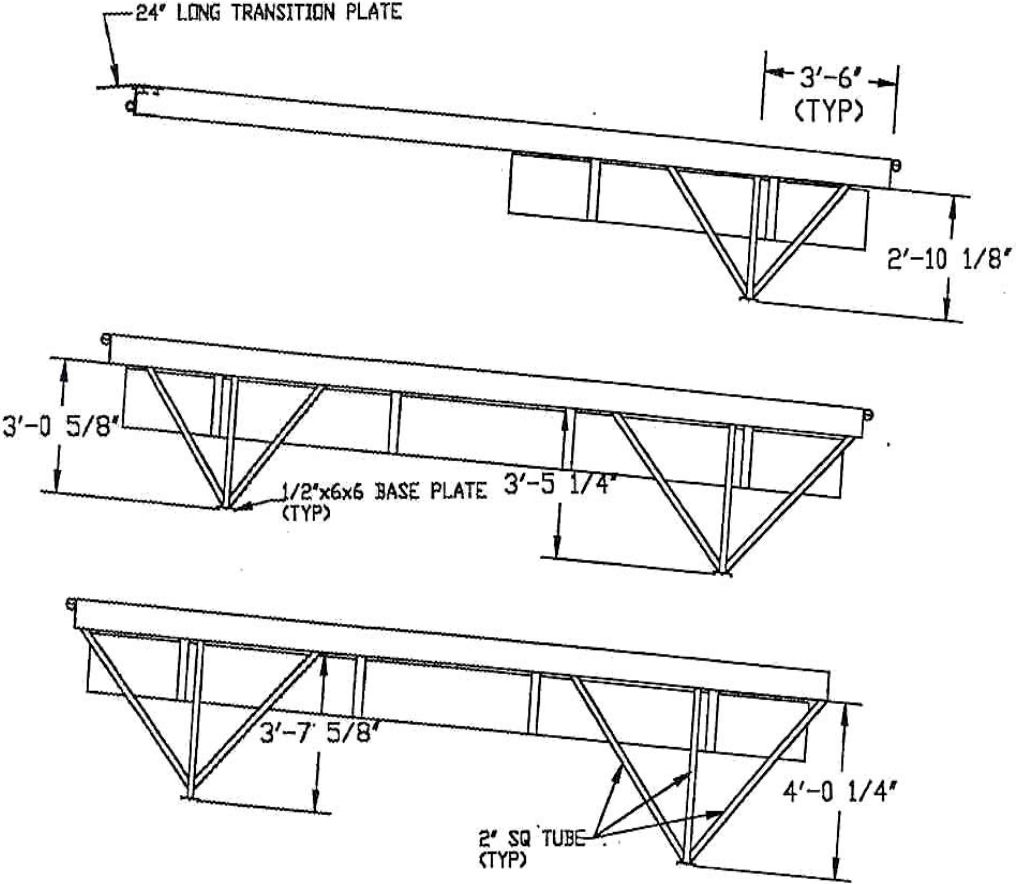
Handrails: 12" high x 10' long x 1½" wide at canoe station

Supports: Roller pile guides

Transition plate: Three hinged aluminum sections, two are 8' x 21'3" and one is 8' x 27'9"

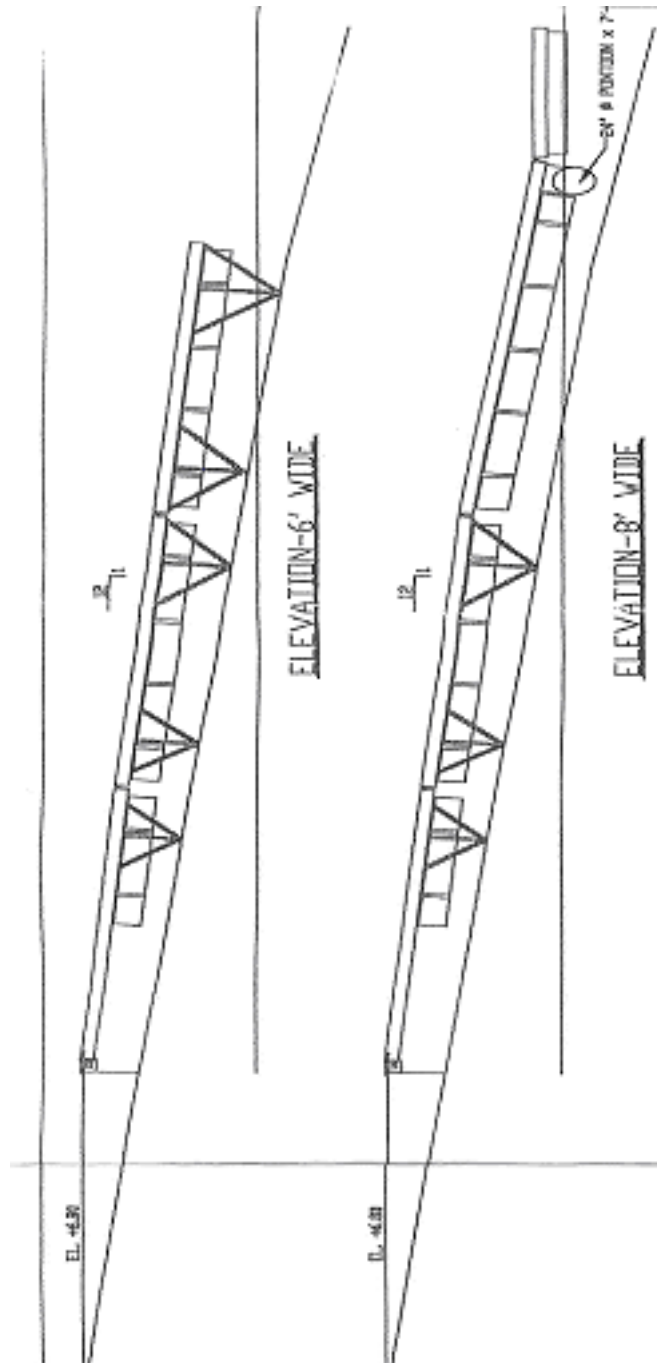
Designs for Newport Boat Ramp follow, courtesy of Lacy Nichols
Delaware Department of Natural Resources and Jon Fleischman of Gator Dock & Marine, INC.:

Diagram 5A: Detailed elevation of transition plates, Newport Boat Ramp

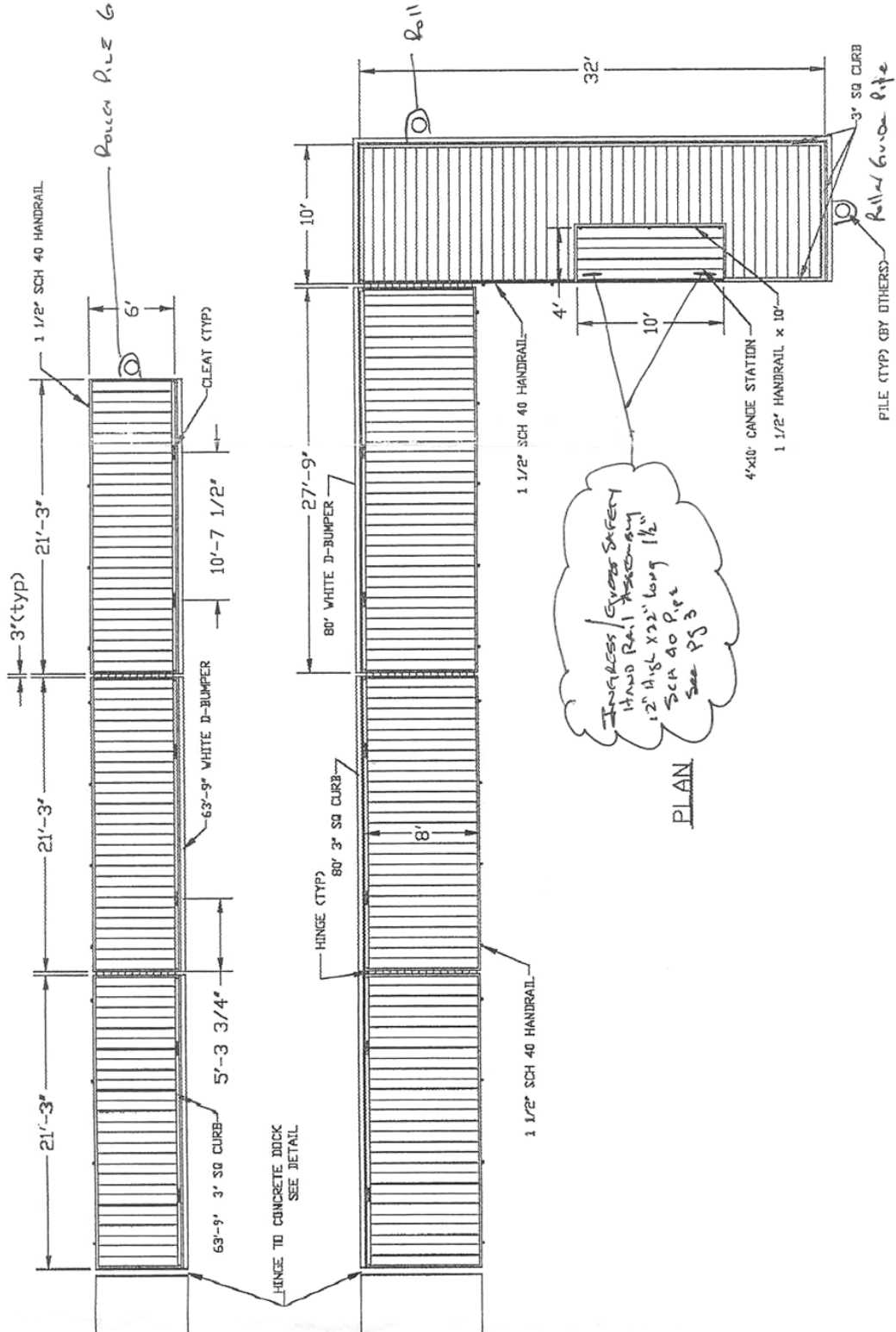


STANCHION DETAILS

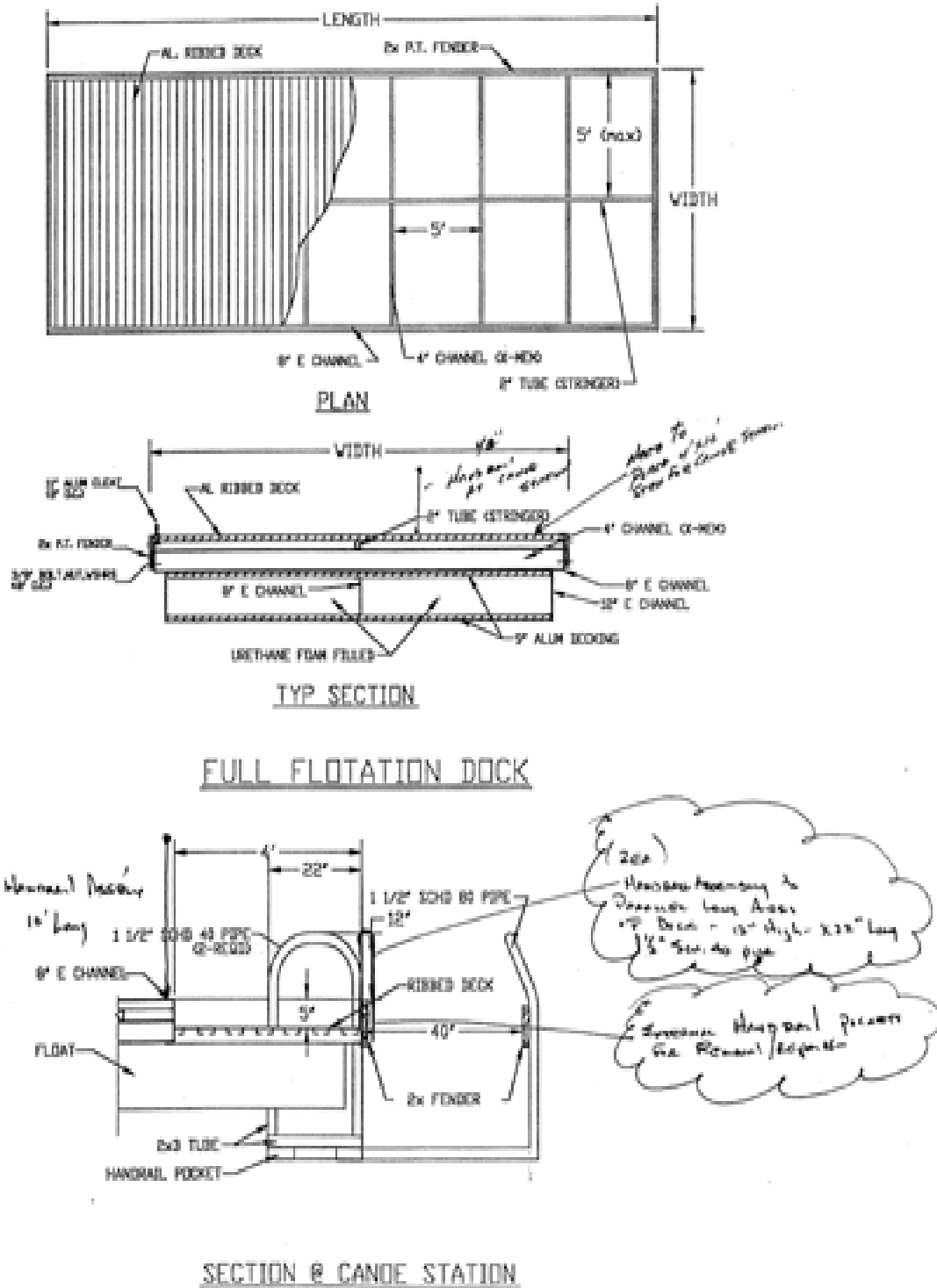
**DIAGRAM 5B: Elevation of transition plates, showing 1:12 slope
Newport Boat Ramp**



**DIAGRAM 5C: Plan view of deck and canoe station
Newport Boat Ramp**



**DIAGRAM 5D: Section of floating launch and canoe station
Newport Boat Ramp**



2) South Prong River, North Carolina State Parks – Bayboro, North Carolina

Problem: Paddlers shared a crowded concrete boat ramp with motorized boaters. Concrete surface made launching difficult for kayakers and caused damage to the bottoms of some boats.

Solution: A floating dock was installed along the hardened shoreline and attached to a boardwalk for easy access. This provided a separate and more suitable launch site for paddlers. The project was funded by North Carolina State Parks “Adopt-a-Trail” program.

Specifications:

Frame: 2" x 10" salt treated wood

Deck: 2" x 6" salt treated wood

Floats: Two 20" float drums, Follansbee Series Three

Inset: 4' wide x 12' long, sloping from 9¼" to 2", covered with 2" x 6" salt-treated wood deck;

Anchors: Pile guides

Wood floating launch is 8' x 13.5' connected to boardwalk with a 8' long slide

Slope is ADA accessible at some water levels; average distance to water is 32"

DIAGRAM 5F: Plan view, Bayboro launch

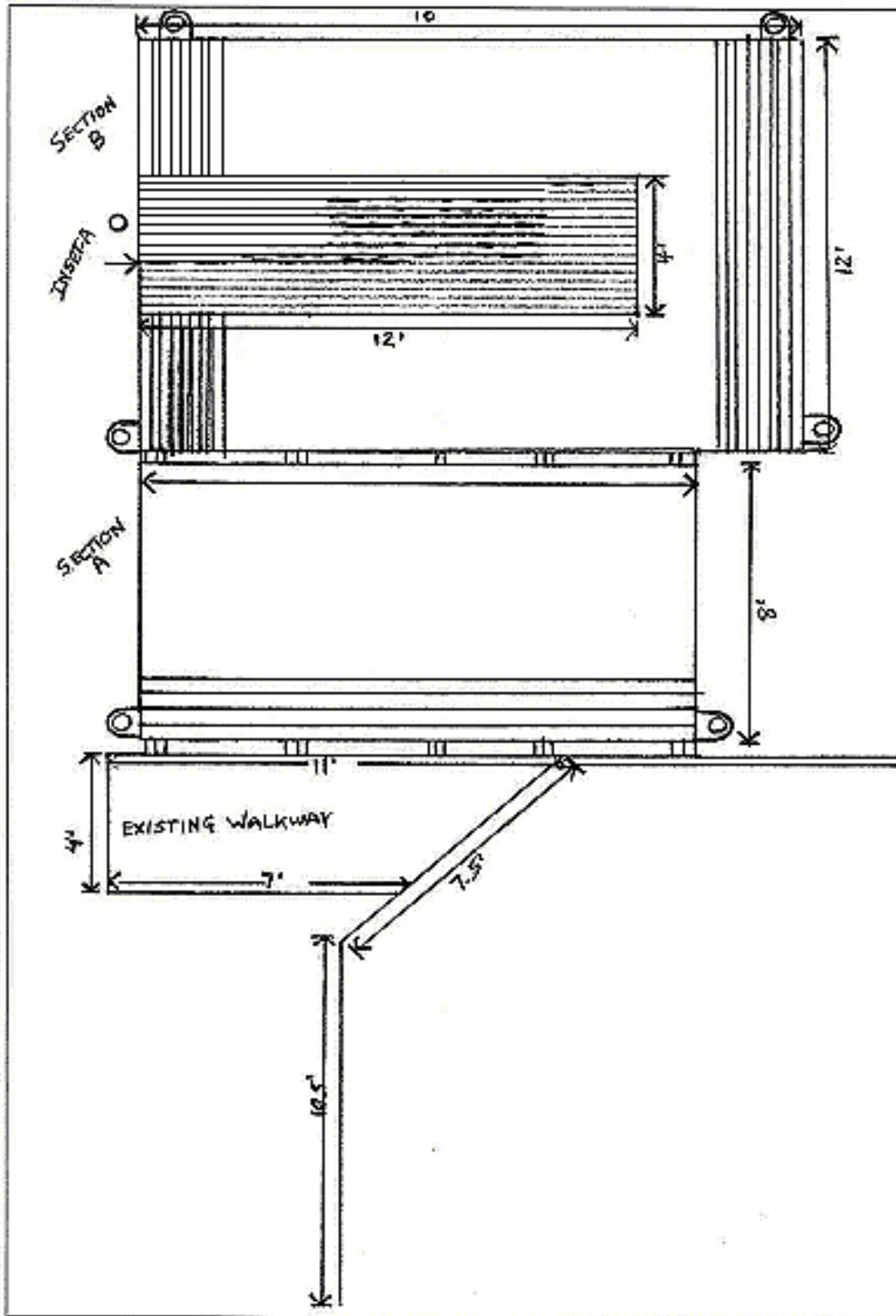


DIAGRAM 5G: View of salt-treated deck and frame, Bayboro launch

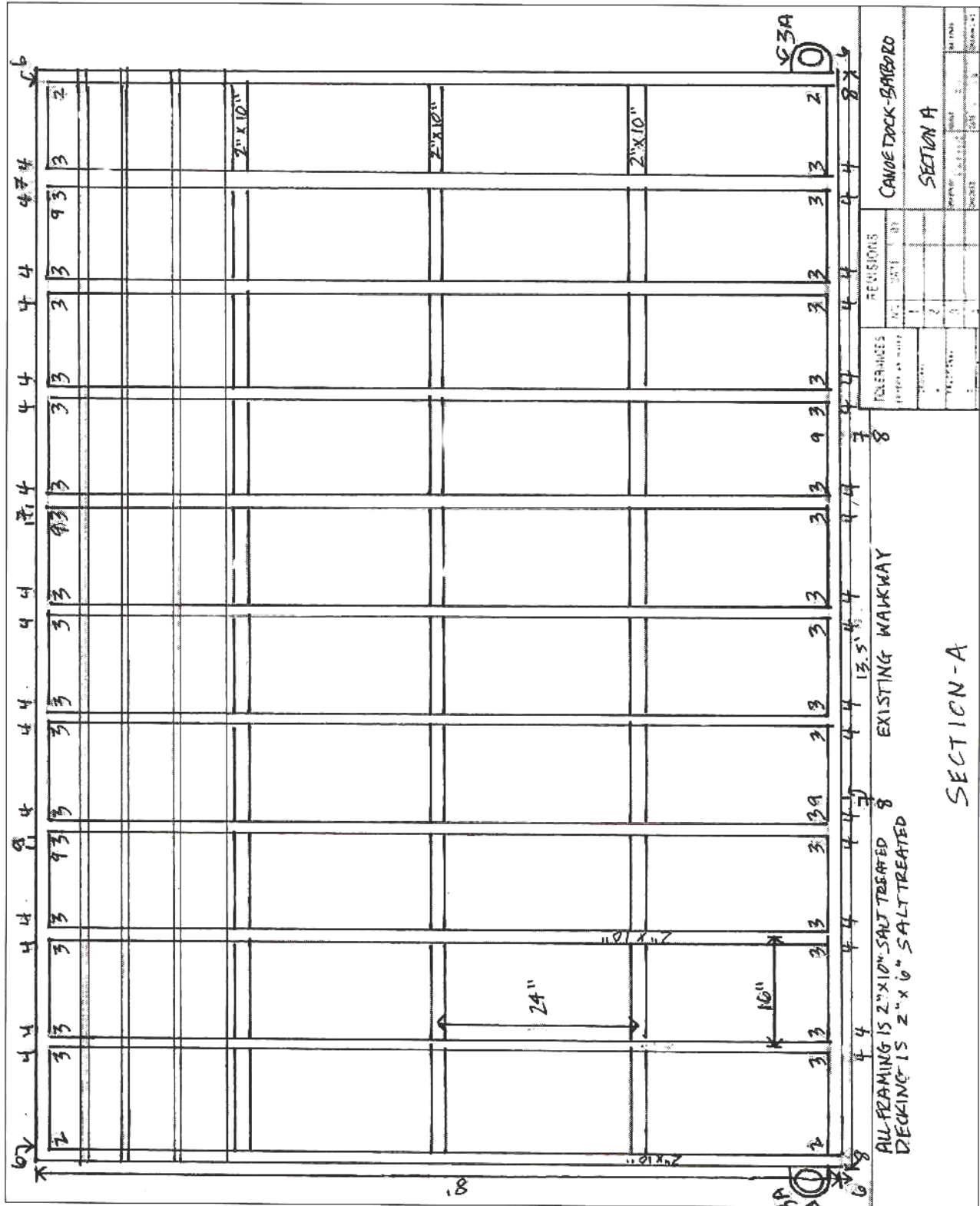


DIAGRAM 5I: Section view of launch inset, Bayboro launch

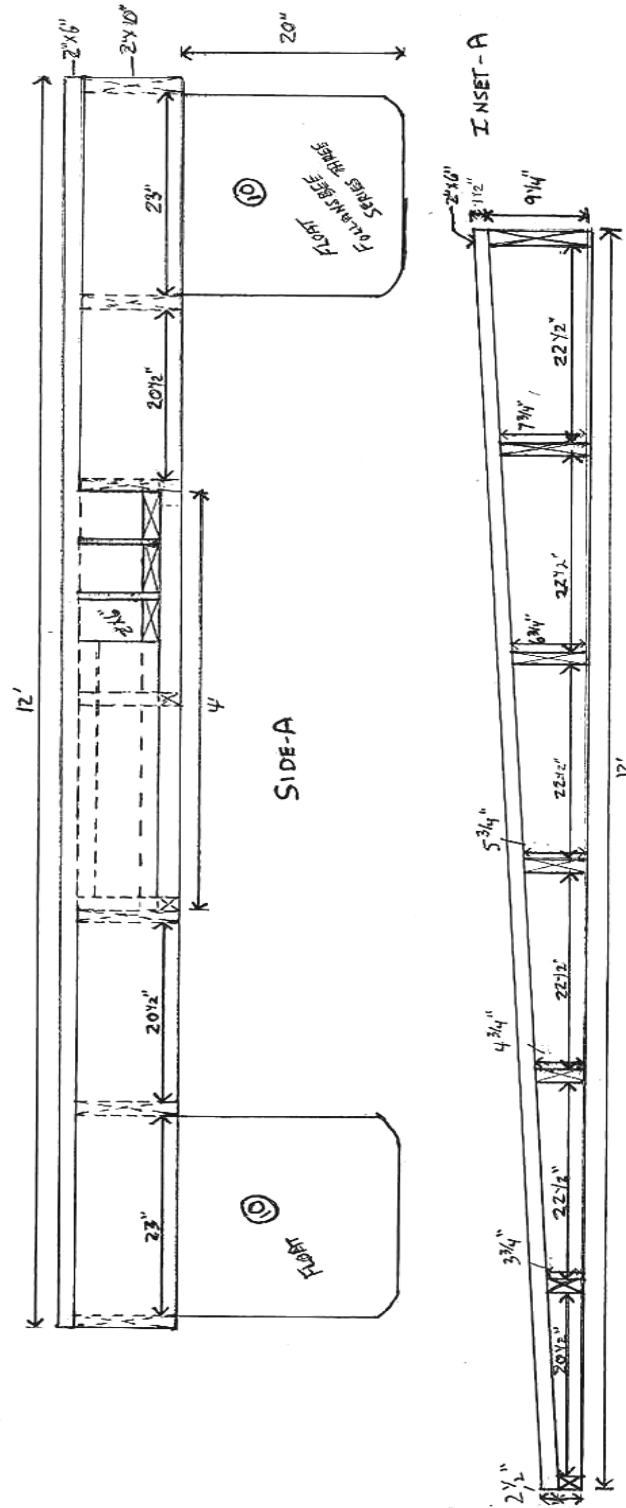
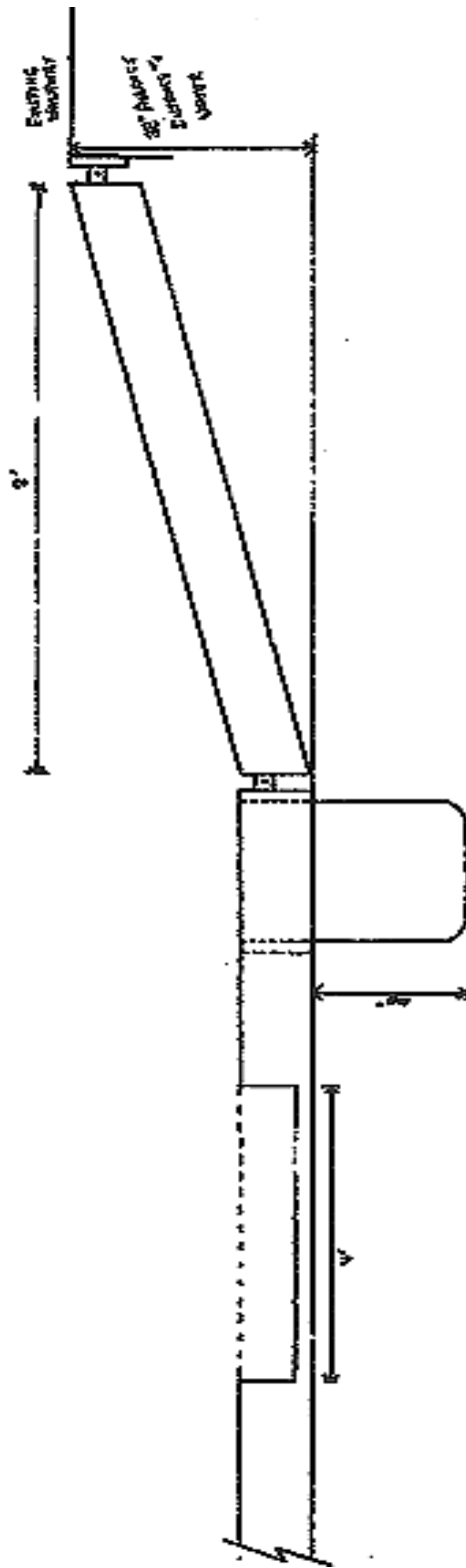


DIAGRAM 5J: Side profile at water elevation, Bayboro launch
Shows launch connecting to existing walkway



3) Annsville Creek Paddlesport Center, Hudson River Watertrail
Hudson Highland State Park, New York

Commercially manufactured floating launches may be used in combination with other structures, such as gangways or pile launches. Wholesalers sell floating launches built of pre-fabricated modular sections that can be connected together to adapt to site specifications.

The following photos and designs portray access at Annsville Creek to the Hudson River Water Trail, a tidal river with water levels that typically fluctuate at least 4 feet between tides. Several different structures are used at this site to accommodate paddlers at different water levels: a modular polyethylene floating launch connects to a wooden floating dock that is accessible from a concrete landing on the shore via two parallel aluminum gangways. The floating launch has four kayak slots or boat slides, where paddlers can easily transition into and out of the water. The entire launch configuration is ADA accessible and is used to teach paddlers with disabilities, as well as to train instructors who teach paddlers with disabilities.

Specifications:

- Floating launch:* 22' wide x 30' long; structure made of 234 polyethylene polymodules (total)
 - Wooden floating dock:* 8' wide x 30' long, connects to floating launch and two transition plates
 - Transition plates:* Two parallel aluminum gangways, each 4' wide x 30' long, with steel handrails
 - Concrete landing:* 4' wide x 25' long at shoreline; extends into water 42" below shoreline level
 - Reinforcements:* Rip-rap extends from edge of concrete landing across half of gangway length
 - Total width of kayak slots = 16.67'*
- Small upright and inverted modules along outer edge of launch are vented to permit adjustment



Photo by Ken Allen

Photo 5A: Floating launch provides access to Hudson River at varying water levels



Photo courtesy of Scott Keller

Photo 5B: Modular polyethylene floats connect to fit site specifications



Photo courtesy of Jim Logan
Hudson Valley Watertrail Association

Photo 5C: Vented polyethylene modules adjust to accommodate needs of paddlers

Designs for Annsville Creek Paddlesport Center, Hudson Highland State Park

Courtesy of Ken Allen, White Mountain National Forest

Diagram 5K: Elevation of floating dock and anchorage

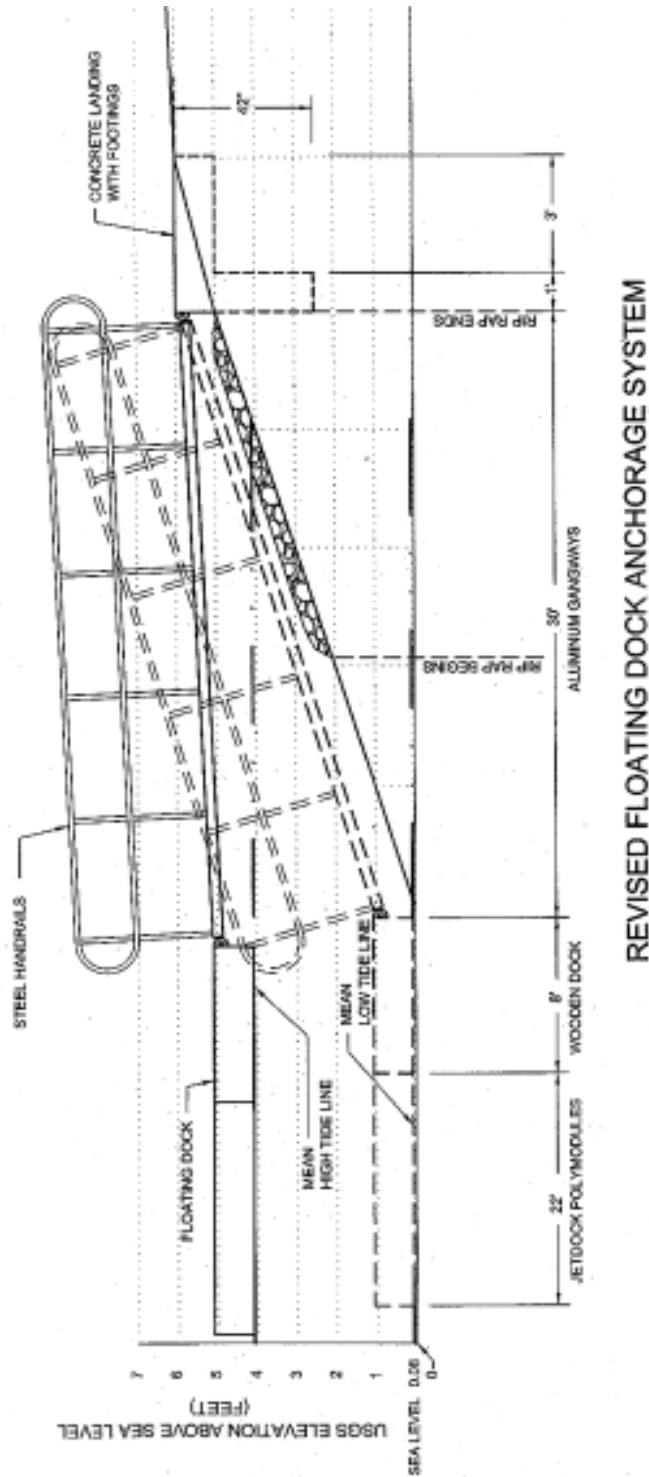


Diagram 5L: Plan view of floating dock at Annsville Creek

Courtesy of Ken Allen, White Mountain National Forest

Commercial floating launches and floating launch supplies

The following vendors carry floating launch products and supplies. This is not an exhaustive list and is meant only as a sampling. It is not an endorsement of these companies or their products.

- **Alumidock:** wide variety of floating docks, gangways, stairs - <http://www.alumidock.com>
- **Connect-A-Dock:** modular floating docks and platforms - <http://www.connectadock.com>
- **Dock Floats Ltd.:** <http://www.dockfloatsltd.com>
- **Flotation Systems, Inc.:** maintenance free, expandable aluminum docks - <http://www.aluminumboatdocks.com/Contact.htm>
- **Galva Foam Marine Industries:** <http://www.shoremaster.com/news/28.html>
- **Gator Dock & Marine, INC.:** aluminum floating docks - <http://www.gatordock.com>
- **Jetdock:** custom-made and modular floating launches - <http://www.jetdock.com>
- **Johnstons Docks & Supplies:** stationary and floating docks, dock kits, polyethylene floats - <http://www.dockkit.com/>
- **Marina Accessibility Products, Inc.:** offers a self-leveling gangway lift for physically challenged, designed specifically for floating docks - <http://www.renweb.net/website/marina/>
- **Mod-U-Dock:** maintenance-free, easy installation docks and floating docks with modular design and custom dock building - <http://www.modudock.com/>
- **Northstar Vinyl Products, LLC:** 21 polymer coated wood used in vinyl seawalls, docks, decks - <http://www.northstarvinyl.com/>
- **PlasTEAK Products:** uses recycled plastic - <http://www.plasteak.com/>
- **TIECO Floating Structures:** steel tube floating docks - <http://www.tiecomarine.com/>
- **Tiger Boat Docks & Lifts:** parts and plans for do-it-yourself projects - <http://www.tigerboatdocks.com/>
- **Traveldock:** portable lightweight docks for inland waterways - <http://www.traveldock.com.au/>

4) Janes Island Kayak Dock, Dougherty Creek Canal, Janes Island State Park, Maryland

Problem: Paddlers needed an alternative launch site at a busy marina. The existing concrete boat ramp was crowded with powerboat use and hazardous to paddlers due to its slippery surface and steep incline. Since the entire shoreline is bulkheaded, there were no “soft landing” alternatives to provide paddlers with access to the water.

Solution: Maryland Department of Natural Resources purchased a floating 8' x 20' dock designed specifically for canoes and kayaks that attaches to bulkhead pilings with metal rings. The new launch was placed outside the entrance to the marina basin so that paddlers do not have to cross incoming and outgoing boat traffic into the basin. Paddlers access the launch from a ladder, so it is not easily accessible to those with disabilities.



Photo courtesy of Nita Settina
Maryland Department of Natural Resources

Photo 5D: Floating launch attached to bulkheads can be accessed from the shore by a ladder

Specifications:

Deck: 2' x 6' with 3" x 6" side stringers

Frame: Wood, 2' x 6' with 3" x 6" cross stringers; ¼" steel brackets reinforce outside corners

Floats: Polyethylene shell filled with foam, 8" x 20" x 72" long



Photo 5E: At Janes Island’s busy marina, the floating launch provides access to paddlers at a safe distance from heavy motor boating traffic



Photo 5F: Situated lower than the boardwalk, the floating launch allows easy access to the water

Photos courtesy of Nita Settina
Maryland Department of Natural Resources

CHAPTER VI: PIPE AND PILE LAUNCHES

A. General Description

Pipe and pile structure, which are used independently as launches or in combination with other structures, can span marshes or shallow areas to enable launching in water of sufficient depth. In some cases, “approach pads” or walkway structures are designed to enable access to the launch itself. Structures are composed of a deck and frame, which stand above water level at all times, and are supported by pipes or piles. While piles can be used in any depth of water, pipes rest on supports (e.g., concrete pads) and are not suitable for deep water.

B. Materials

- Decking is frequently made of wood, concrete, or alternative wood materials
- Piles are usually made of treated timber, steel pipes, or concrete
- Pipes with diameters between 1½" and 3" are preferable

Environmental Impact from Pile Installation

Pile design and construction can potentially have negative environmental impacts, as well as health ramifications for those involved in their construction. Piling methods should be researched and prepared for thoroughly before construction. The U.S. Forest Service’s *Wetland Design and Construction* is a resource that discusses pile installations in more depth (*see Bibliography*).

While there is limited research available on the environmental impacts of piling, some methods clearly cause less disruption to sediments and vegetation than others. The process of “driving,” for example, is significantly less disruptive than “jetting,” which uses high-pressure hoses. Disturbances to sediments in sandy areas can be greatly reduced when low-pressure pumps are used to create an initial hole and sharpened piles are installed with a drop hammer.

C. Design specifications/variations

- Water level should be lower than the level of the deck at all times
- Pipe legs need cross bracing and bracketing to the frames for reinforcement

D. Advantages

- Effective in areas of strong current
- Pipes are environmentally-friendly
- Stable surface for launching
- Good choice for providing access to paddlers with disabilities; handrails or step-downs may be easily added
- Usually requires little alteration to shoreline
- Relatively inexpensive to construct
- Structures are easily visible from rivers
- Pipe docks can be easily adjusted or removed

E. Disadvantages

- Does not accommodate extreme variations in water level
- Construction of piles can have damaging environmental impacts, such as altering currents, if they disrupt flows or sediments
- Piles made of treated wood can contaminate water (*see notes below*)

Environmental impacts from wood preservatives

According to some studies, the greatest likelihood of water contamination from launch construction occurs from preservatives that are applied to pilings or floats in locations that come into regular contact with water. Many states have banned the use of oil-based preservatives containing creosote (CRT) or pentachlorophenol (PCP) in aquatic areas due to their demonstrated toxic effects from leaching, since soluble components separate and leak into the water.

The most common material used in pressure-treating wood used for pilings and decking is chromated copper arsenate (CCA), which is usually made of 47.5% hexavalent chromic oxide, 18.5% cupric oxide, and 34% arsenic pentoxide. It has been proven that CCA will leach in salt water and can be toxic to estuarine species. However, nearly all of the leaching occurs within the first 90 days of submersion.

Studies show that the level of CCA's toxicity depends on its chemical form when it reaches an organism. Its chemical form will change over time and with different sediment types, amounts of organic material present, oxygen levels, and water movement. However, given that most leaching occurs when the launch is new and that the area surrounding the launch is relatively small, it is likely that tidal movement will prevent high levels of CCA from accumulating.

Further details may be found in report by NOAA Coastal Ocean Program Decision Analysis Series No. 22 (*see Bibliography*)

CHAPTER VII: CANTILEVER LAUNCHES

A. General Description

Cantilever launches extend out over the water from the shore, sometimes appearing to float on the water. Their main supports are their anchors to the shoreline, which often include anchors that are partially submerged in water.

B. Materials

Frequently made of wood, with steel or wood supports

C. Design specifications/variatiions

- Anchor and frame must be built to accommodate weights of the launch, boats, and paddlers
- An engineer should be consulted to determine if a cantilever structure is the best option given the launch's level of use
- Elevated cantilever walkways, used as launches or connected to other launch structures, can provide access in environmentally sensitive areas while protecting riparian habitat and shoreline vegetation; see Alaska Fish and Game's website for more information: <http://www.sf.adfg.state.ak.us/sarr/restoration/techniques/walkways.cfm>

D. Advantages

- Have minimal environmental impact
- Suitable in a wide range of locations and shoreline configurations
- Can have removable deck sections or posts that may be removed seasonally
- Relatively inexpensive to construct

E. Disadvantages

- Cannot support excessive weight
- Treated wood can be hazardous to the environment ; alternatively, using alternative wood materials can be expensive
- May not last as long as a fixed or floating launch due to support and weight limitations

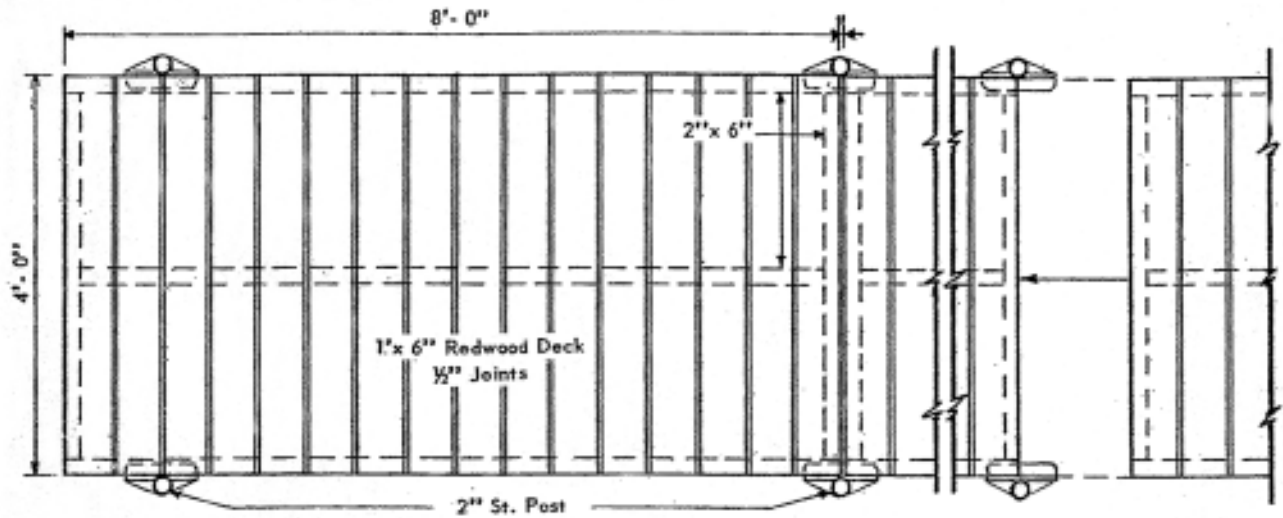
F. Case examples, designs, photos

1) Design for cantilever launch, Minnesota Division of State Parks

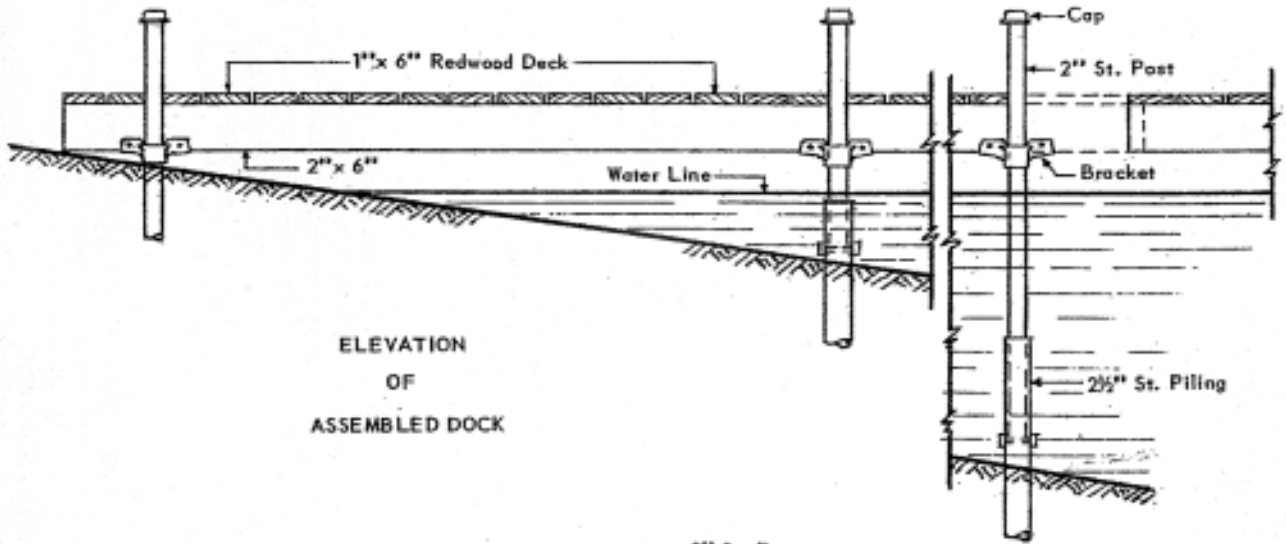
This cantilever launch is composed of deck sections and posts that can be removed seasonally. 2 ½" footing pipes with cross bolts in place are installed into the shore bottom until they are firm (18" to 24" below the water surface). 2" pipes are installed through metal deck brackets and into pipes, capped on upper threaded ends. Deck is leveled by set screws in brackets. Dock can be unbolted when screws are loosened and 2" pipes are removed. Dock sections can be removed entirely, while the footing pipes remain.

Diagram 7A: Plan, elevation, section, and bracket detail of cantilever launch

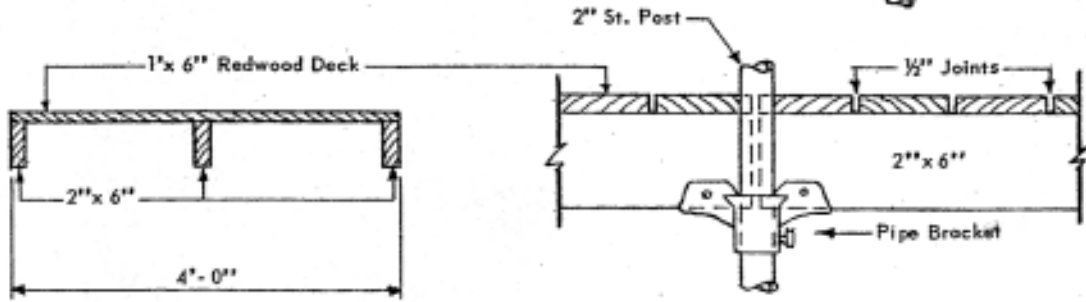
Design courtesy of Minnesota DNR



PLAN



ELEVATION
OF
ASSEMBLED DOCK



SECTION

BRACKET DETAIL

CHAPTER VIII: CONCRETE LAUNCHES

Ramps, Stairs, and Mats

Concrete has a variety of applications that include ramps, stairs, mats, and strips. Some applications, such as stairs, are cast-in-place, where the concrete is poured and shaped on site. Others are composed of pre-cast mats, planks, panels, or slabs. Concrete can also be used to create strips that help to control erosion or to divert heavy flows away from a launch site.

Concrete may be purchased as a ready-mix (generally used for smaller projects) or delivered by a mixing truck. For cast-in-place ramps, approximately 0.37 cubic feet of mix are needed for every 10 cubic feet to be cast.

The basic mix for concrete consists of 1 part cement, 2 parts sand, 3 parts gravel (or aggregate), and water. Proportions can be altered to suit the needs of the site. For example, a higher proportion of cement can be used for thinner structures, while thicker launches may require more aggregate.

Portland cement (composed of ground limestone, clay or shale, sand, and iron ore) binds the materials together, hardening the mix, while sand and aggregate act as “fixers” to control the mix from shrinking. Water reacts with compounds in the cement as it hardens and allows for plasticity so that the concrete can be poured into a form and shaped.

Additives called admixtures can be added to concrete mixtures either to improve the quality of the mix or to keep the concrete workable in certain climatic conditions. Air-entraining agents, which are bubbles added to the concrete mix to improve its durability, may prevent cracking as a result of freezing and thawing cycles.

CONCRETE RAMPS

A. General Description

Concrete ramps may be used as launches by themselves or in combination with floating launches, piers, bridges, dock abutments, bulkheads, and rock cribs. If the ramp connects to a floating launch using a bridge, it will need a hinged metal transfer plate to allow for an easier transition.

Concrete must be installed in dry conditions, therefore the area must be totally clear of water where any portion of the ramp extends beneath the surface of the water. The underwater area may need to be cofferdammed. A cofferdam is a water-tight enclosure that is temporarily used to pump water out of an area during construction. If lime is used in this process, it must be managed carefully so as not to enter the water where it can pose a danger to riparian species.

Pre-cast concrete planks and panels should only be used on bodies of water with little to no current. Pre-cast slabs are heavy and must be placed using lifting equipment; reinforced concrete is typically needed for underwater sections of the pre-cast ramp.

B. Materials

Surface finish, including corrugated concrete, rock salt, or exposed aggregate, may be applied to concrete to increase traction or improve its appearance. One popular finish uses 1" x 1" V-grooves formed at a 60 degree angle to the centerline. V-grooves should not be used on launches that serve as accessible routes, however, as they make wheelchair access difficult.

C. Design variations/specifications

- The width and thickness of concrete ramps vary, but cast-in-place ramps are typically 6" to 8" thick and use rebar reinforcement
- Ramps can be cast-in-place or composed of connected pre-cast slabs, planks, or panels

D. Advantages

- Provides the most stable, sturdy surface for launching
- Durable; not subject to rot or rust
- Easy to shape and work with, adaptable to slope needs; minimal additional construction needed
- Can be relatively inexpensive to construct, depending upon type of application
- Relatively low maintenance (depending on sedimentation levels); easy and inexpensive repairs
- Can be used to help mitigate erosion problems or assist with vegetative restoration

E. Disadvantages

- Can cause damage to riparian ecology, preventing growth of vegetation and impacting habitats
- Surface can be slippery, especially when muddy or wet, however, using corrugated concrete, rock salt, or exposed aggregate on the surface can provide effective traction
- Can be damaged or crack easily due to freezing and thawing conditions, but can also be easily and cheaply repaired
- Can be expensive to clean if there is heavy flooding and mud build-up
- Usually not aesthetically “pleasing,” although their noticeable presence can assist paddlers with locating take-outs from the river. They can also be surfaced for an improved appearance with materials such as river rocks, fieldstones, or salt-finishing

F. Case examples, designs, photos

1) Wolf Creek, Missouri River, Montana

Problem: The original launch, installed over 25 years ago, was a pre-cast concrete ramp that angled downstream and extended out into the water approximately 10 feet. Due to its configuration, eddies formed and the fill supporting the ramp eroded, over time, due to undercutting. Undercutting is a frequent problem with ramps that are not built at a perpendicular to the shoreline. Areas of vegetation at the top of the ramp had also eroded with use by paddlers loading and unloading their boats.

Solution: Engineers at the Montana State Design & Construction Bureau rebuilt the ramp to make improvements for safety, longevity, and ease of use. The original intention was to reorient the alignment of the ramp to be perpendicular to the bank. However, fearing that the new ramp would encourage jet boat traffic, they decided to build it on the same location as the previous ramp.

The new concrete ramp is wider, elliptical in shape, and thickened with a 24" concrete edge along its perimeter to prevent undercutting. The previous pre-cast concrete planks were replaced by flexible, cabled concrete mats and its slope is around 1:3. Its textured surface provides traction. Rip-rap and textured bank protection were also added.

A 6" concrete slab with fiber mesh and 12" thickened edge was also added to provide a relatively flat section at the top of the ramp where paddlers load their boats. By giving paddlers a designated area to use rather than trampling vegetation, the ramp helps to decrease erosion in areas around the launch.



Photo 8A, 8B: An elliptical concrete ramp was installed at Wolf Creek, on the Missouri River, to reinforce the bank and provide a loading area for paddlers in a way that helped mitigate erosion



Photos courtesy of Ken Phillips
Montana State Design and Construction Bureau

2) **Salida boat ramp, Arkansas River, Salida, Colorado**

Salida’s concrete boat ramp is an example of a launch site that has helped contribute to the revitalization of a town. Before this launch was installed a few years ago, this corridor of the Arkansas River was both inaccessible and unfriendly to paddlers and the general public. The area had been severely neglected and had become a depository of debris and waste from industrial sites upstream.

Part of the Arkansas River Trust’s Whitewater Park and Greenway Project, installation of this boat ramp has helped to transform this spot into a popular one for launching, fishing, and other river-based activities. Native vegetation has replaced hundreds of tons of concrete along the banks and a whitewater course now offers a quarter mile of quality rapids on the river.



Photo by Caroline Wolf

Photo 8C: Salida’s concrete launch offers river access for a variety of recreational activities

3) Corrugated concrete ramp, Everglades, Florida



Photo by Tim Palmer

Photo 8D: Corrugated concrete ramp provides effective traction for launching

CONCRETE STAIRS

A. General Description

Concrete stairs are particularly effective in providing access along steep shorelines. They are durable and easily maintained and may be used in areas where water levels change dramatically, as they are likely to withstand currents and offer access at a range of water levels.

B. Materials

Stairs are formed from concrete that is poured on site. Once a bank is prepared to accommodate the stair dimensions (which may require some digging out with equipment, such as a backhoe), a concrete foundation is created, which is reinforced with rebar or metal. Molds are created for the stairs and concrete is poured into them. After the forms are set, the molds are removed.

C. Design specifications/variatiions

- If steps are tapered in width as they descend to the water, the bottom steps should not be too narrow; paddlers need at least 5' and preferably 6' to 12' for launching
- Handrails may be needed to provide additional support for paddlers where shorelines are excessively steep; they may not be needed in areas with shorter distances to the water or less dramatic slopes
- Installing a 4' to 8' landing pad at the bottom of concrete steps can be useful to paddlers; this may serve as a "seal launch" where kayakers can put on their spray skirts before launching

D. Advantages

- Provide effective solutions to a steep slope or eroding bank
- May be more aesthetically pleasing than concrete ramps or mats
- Can be combined with boat slides to provide easy transport of boats to water
- Require relatively little maintenance; durable

E. Disadvantages

- May not be as easily accessible as concrete ramps or other launch types
- Can be expensive
- Rarely provide access for disabled paddlers
- May require artificial shoring (usually upstream) to protect them
- May require use of heavy equipment for preparation of bank before installation

F. Case examples, designs, photos

1) Concrete stairs, West Virginia

West Virginia Department of Natural Resources provides an example of a concrete staircase with a raised, wooden boat slide. The boat slide enables paddlers to keep their boats at knee-level, so that they don't have to bend down, as they descend the staircase. The staircase is durable, projected to last at least 15 to 20 years. Little maintenance is needed, although there can be problems with mud accumulation at its base.

Specifications:

- Two staircases with boat slide in center; stairs lead to a ramp extending to water
- Each staircase is 2' wide x 24' long with twenty-four concrete stairs; each staircase measures: 24" wide x 12" long x 6¼" high
- Stairs are reinforced with #4 rebar, each 3' long, spaced 1 foot apart
- Boat slide descends center of staircase and is raised 1' above the height of the steps
- Slide is composed of two parallel boards made of pressure treated oak; each board measures 6" wide x 24' long x 2" thick; total width of slide spans 2½'
- Steel pipe handrails run down outer sides of each staircase
- Banks on either side of staircase are reinforced with stone rip-rap with geotextile fabric beneath

Design details for concrete steps and boat slide
Courtesy of Dennis Kincer, West Virginia Department of Natural Resources

DIAGRAM 8A: Details of boat slide

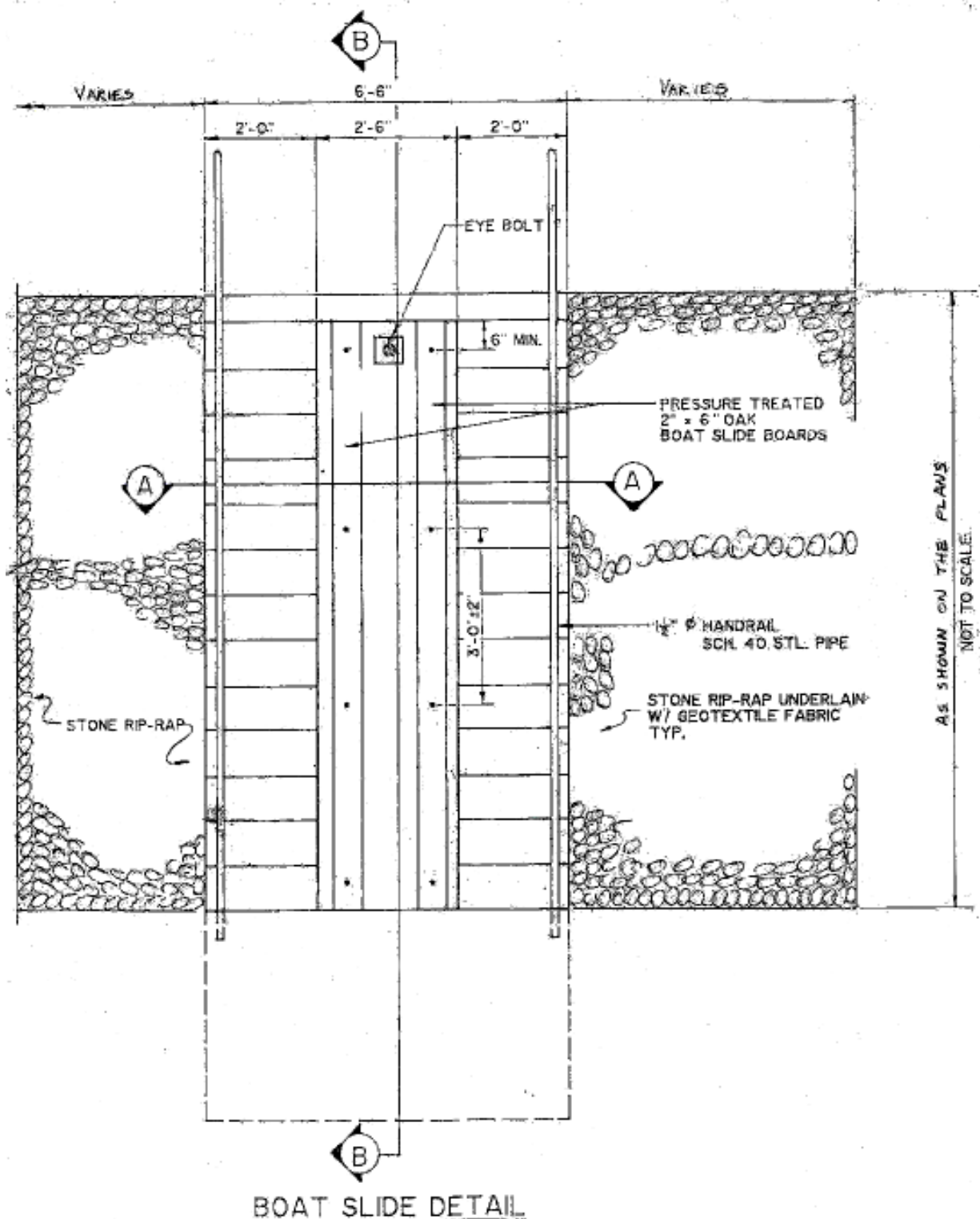
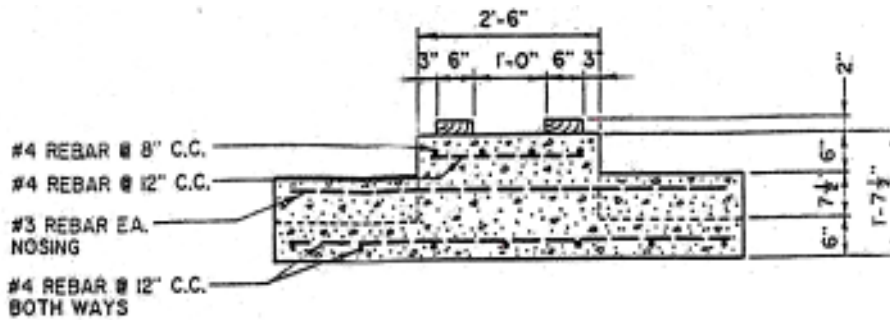
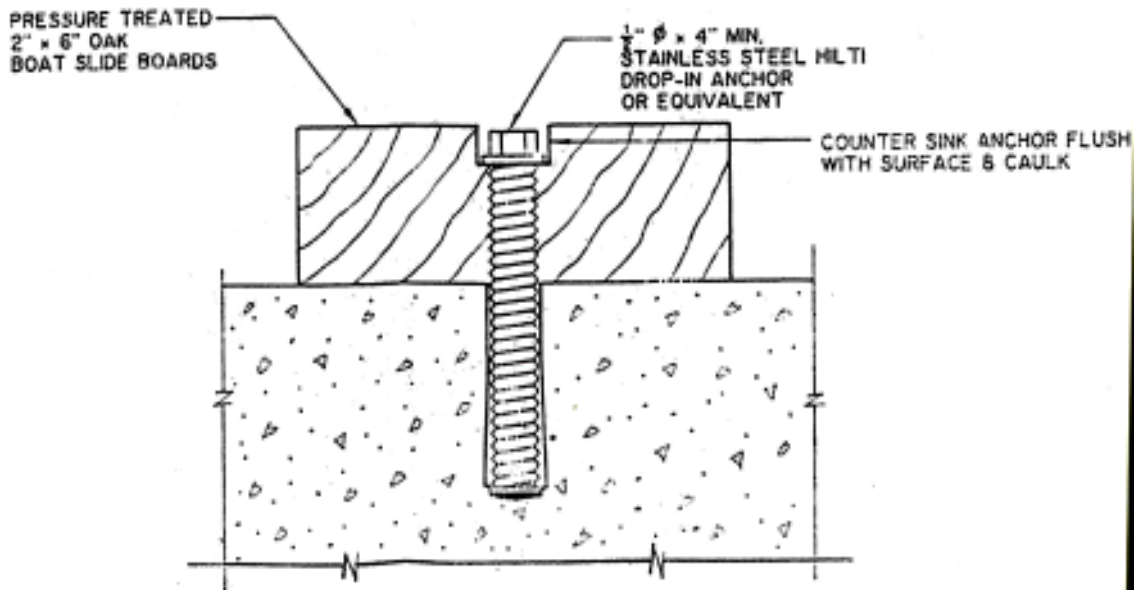


DIAGRAM 8C: Section A-A and detail of slide board



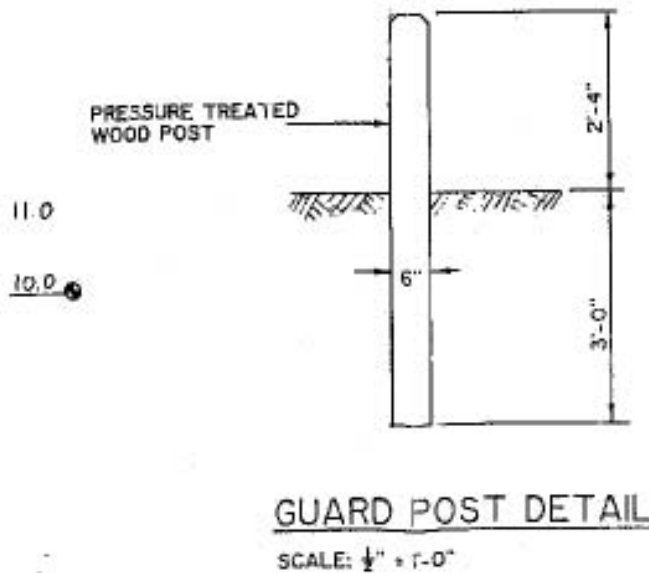
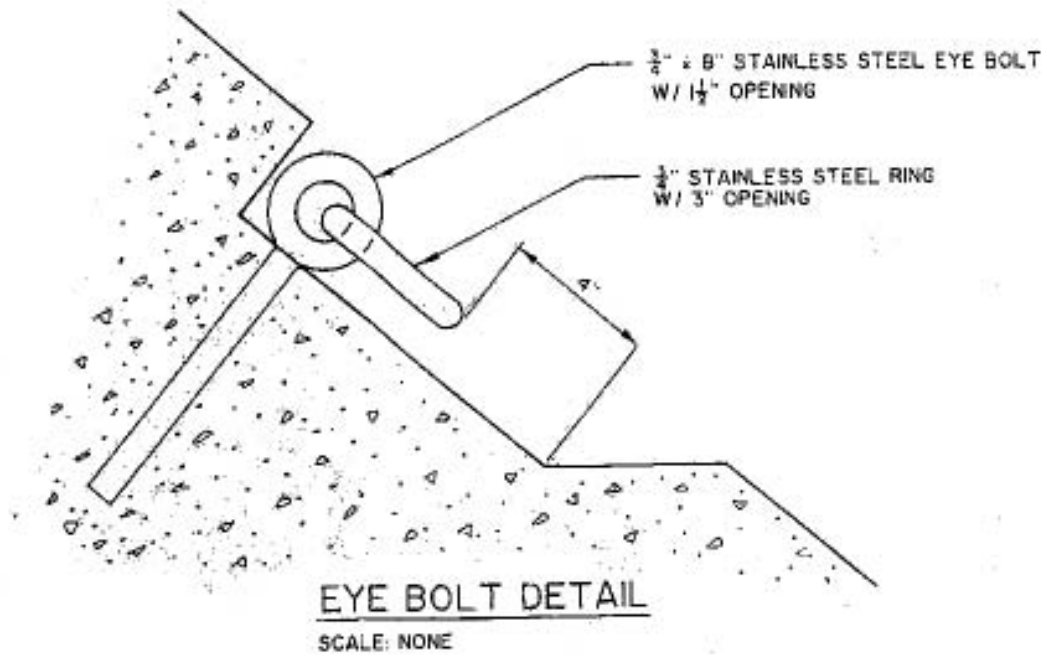
SECTION A-A

SCALE: $\frac{1}{2}$ " = 1'-0"



SLIDE BOARD DETAIL

DIAGRAM 8D: Detail of eye bolt and guard post



2) White Rock Park, Colorado River, La Grange, Texas

Developing an ADA accessible launch site on an excessively steep slope can prove difficult, particularly if the slope cannot be leveled, due to the type of terrain, to meet ADA standards of 8.33%. However, providing at least one accessible route to the launch area can at least make the site more accessible to paddlers with disabilities, who may be able to maneuver the transition with some assistance. This is clearly not a preferable accommodation, however, and every attempt must be made to make the launch site entirely ADA accessible.

At White Rock Park, an accessible route was developed as far as the top of a concrete stairway launch area by leveling a 40' cutback to 10' through several switchbacks along a concrete trail. Every 30 feet or so along the trail, level resting points have been installed to accommodate wheelchairs. The actual launch, a concrete staircase, is clearly not ADA accessible, however it was needed to accommodate the short 10' drop to the water and to withstand mud accumulation after flooding. An ADA accessible transfer plate, or level platform, adjoins the staircase, providing an area where one can dismount a wheelchair and either lower themselves down the staircase or be assisted to the with their boat.

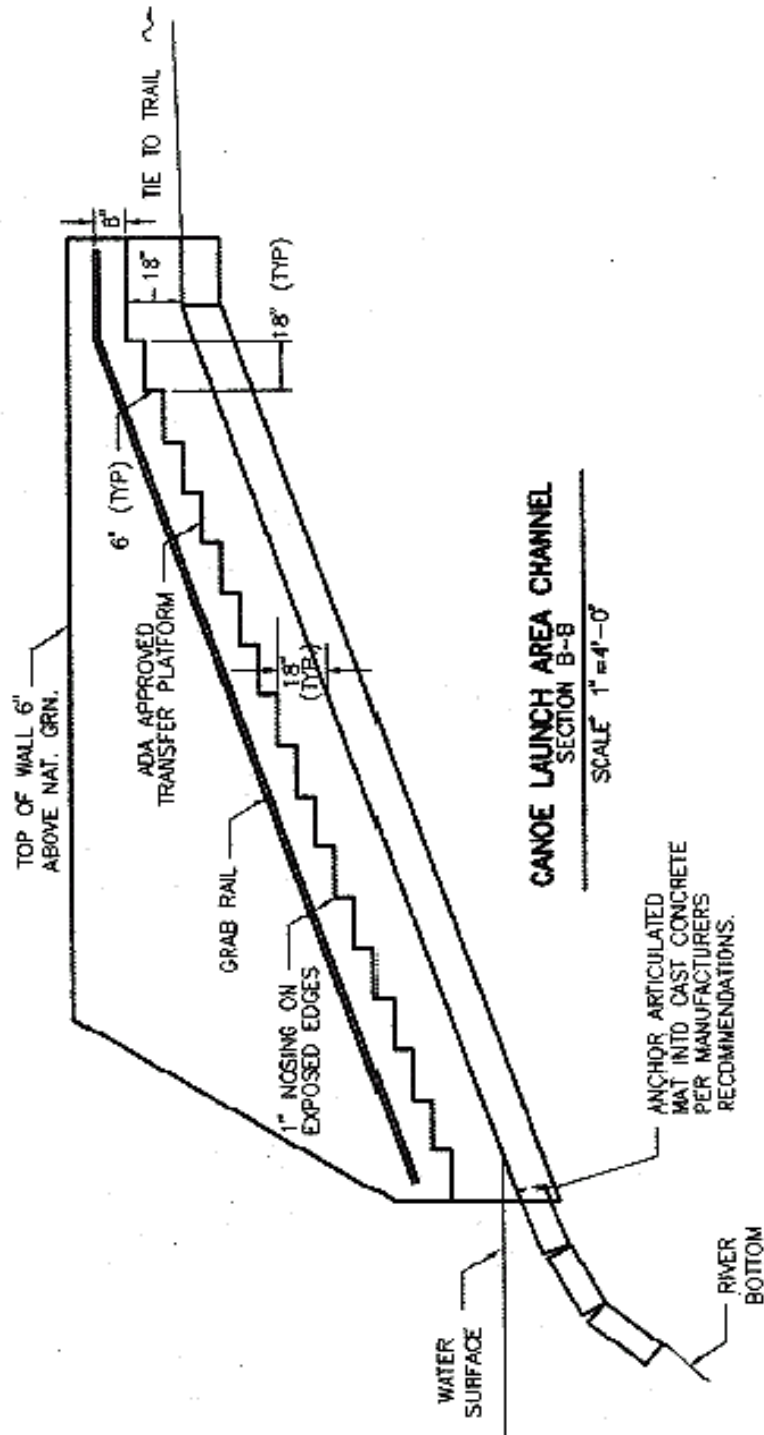


Photo courtesy of Roger Lewis
Lower Colorado River Authority

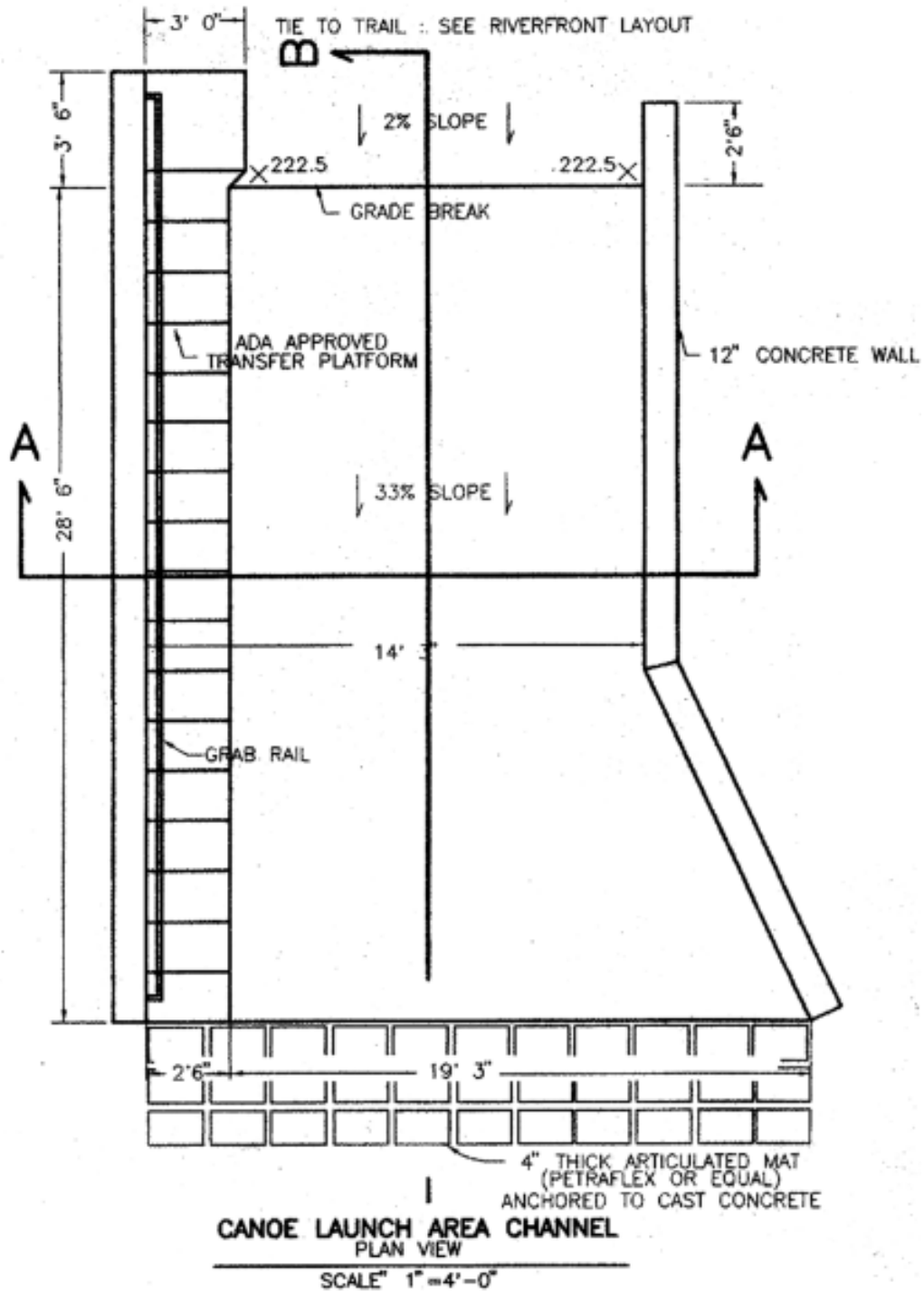
Photo 8E: Steep shoreline grade prevents site from being entirely ADA accessible; Concrete staircase provides access at base of ADA accessible trail

Designs for White Rock canoe launch

DIAGRAM 8E: Section view of launch area



**DIAGRAM 8F: Plan view of ADA transfer platform
White Rock canoe launch**



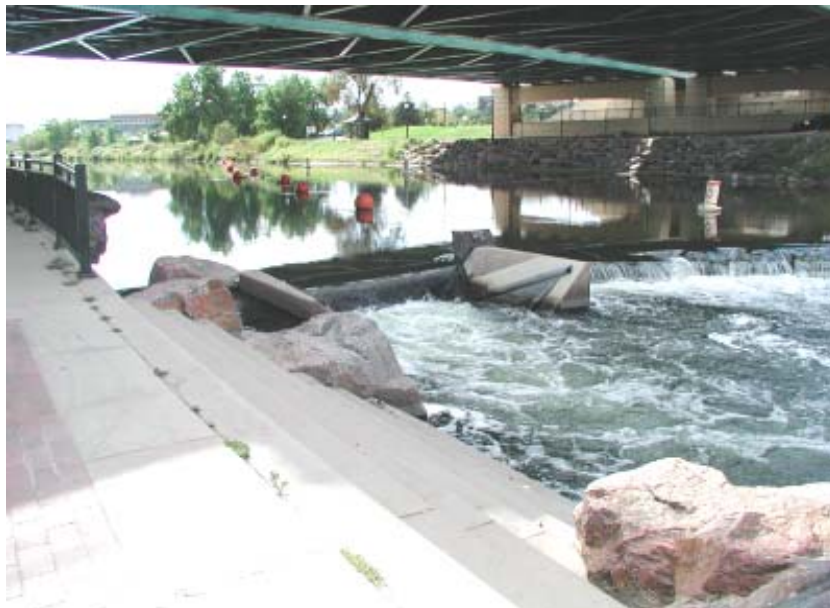
3) Concrete steps at Confluence Park, South Platte River, Denver, Colorado

At the confluence of two rivers in downtown Denver, sets of concrete stairs offer access to whitewater chutes at varying water levels. The whitewater course is part of a revitalization project along the South Platte River that began in the mid-1970s.



Photos by Caroline Wolf

Photos 8F, 8G: Concrete steps provide access to different levels of rapids along the South Platte River



Photos by Caroline Wolf

NOTES

CONCRETE MATS

A. General Description

A concrete mat is a concrete mats may not be the most practical choice for launch sites that mainly serve paddlers; they are more suitable for sites where access is shared with motorized boats.

B. Materials and C. Design specifications/variations

Concrete mats may be applied to a shoreline without significant alteration to its slope. Articulated mats follow the changing slope of a bank and do not require cutting or filling. They are supplied as mats, up to 8' wide, that interlock as they are being placed. Their installation usually requires heavy equipment, such as an excavator with a spreader bar, or a crane. They are typically delivered to a site on flatbed trailers.

Placing concrete mats may require some underwater preparation, as the ends of the mats are often submerged in the water, depending on the slope. Submerged areas may need to be sub-excavated and filled with a leveling course, such as washed gravel. If the bank soil is soft, it may require extra protection; an engineering fabric can be added or sub-excavation can be increased, along with the gravel leveling.

Bank surfaces may need smoothing, so rod readings may be used, with the water serving as a leveling device. The first mat (usually the center one) should be placed carefully, as it is needed to align the others. Once the remaining mats are set, they interlock with each other. When all mats are in place, the loops on the upper end of the mats are pulled, using an excavator, to tighten the mats together. Loops are clamped off, clamped loops are buried, and pea gravel may be spread over the mats to fill in-between the blocks, stabilizing them. Additionally, the sloped outside edges of cable concrete may be backfilled.

E. Advantages

- Since they are pre-cast, concrete mats will not need to be poured in areas that are submerged; cofferdamming is not required
- Cutting or filling the bank is not necessary, as it might be with a concrete ramp that needs to be poured at a steady grade
- Since there is less risk of deposition from the cut or erosion of the fill, there is less need for regular maintenance
- Concrete mats typically have soil or gravel between the blocks and are therefore less “developed” or intrusive to a natural shoreline than poured concrete
- If erosion becomes a problem, concrete mats can adapt to changing bank structures; if supporting soil is washed away, blocks may slide downwards and provide protection to eroded areas

F. Disadvantages

- Typically are more expensive than concrete slabs
- Are heavy (an 8' x 26' mat weighs approximately 5 tons) and require heavy duty equipment to install
- Installation can damage to shoreline vegetation, when heavy equipment is used
- Can disrupt “natural” look to shoreline; may not be considered aesthetically pleasing

Geotextile mats may be a less costly or disruptive alternative to concrete mats (*see Chapter XI*).

G. Case examples, designs, photos

1) York Bridge, Missouri River, Montana

Problem: York Bridge was initially a motor boat launch site that was also popular for canoeists, mainly due to its location above a backwater. Due mainly to heavy boater usage, there were a number of erosion problems along the shoreline.

Solution: Slopes on the downstream side of the detention basin were smoothed and reinforced with an articulated concrete mat, and an existing ditch was filled in order to widen the launching area. Articulated concrete was chosen as an alternative to rip-rap in order to mitigate erosion while providing an alternative access to canoeists. This enables canoeists to launch without competing with motorized boaters for space. Additionally, an access road (approximately 150' long and 12' wide) was installed to serve a dual purpose: while providing access to canoeists and small boaters, it also makes the detention basin easily accessible for maintenance purposes.



Photo 8H: Gravel road provides access to both the launching area and a detention basin used for maintenance purposes

Photos courtesy of Ken Phillips, Montana State Design and Construction Bureau

Photo 8I: Articulated concrete launch helps to mitigate erosion while providing paddlers with a separate access site from heavy boat traffic



2) Concrete mat installation, Stickney Creek, Montana



Photo 8J: Concrete mats are installed individually



Photo 8K: Crane is used to place and interlock mats

Photos courtesy of Ken Phillips
Montana State Design & Construction Bureau

NOTES

CONCRETE STRIPS

Poured on site to fit the desired specifications, a concrete buffer or strip may be installed to divert heavy flow or sediment loads away from a launch area.

1) Hecla Junction, Arkansas River, Salida, Colorado

Problem: Due to its proximity to an extensive drainage area, the popular launch area at Hecla Junction was continually flooded when combined irrigation waters and spring runoff brought heavy flows and sediment loads. The area was heavily scoured, and a deep ditch formed.

Solution: A concrete strip, approximately 2' wide and 90' long, was installed at the base of the drainage area before it drops off into the beach launching area. Water is forced to flow over the strip, preventing a deep channel from forming. The strip interrupts the strength and velocity of the flow water to flow over it, preventing formation of a deep channel.



Photo 8L: Drainage area adjacent to launch site carries heavy flows during spring runoff and causes scouring

Photo 8M: Concrete strip helps to divert flows away from launch site



Photos by Caroline Wolf

NOTES

CHAPTER IX:

STAIRWAY VARIATIONS

TIMBER STAIRCASES

A. General Description

Staircases composed of timber steps may be cost effective alternatives to concrete when working with a launch site along a steep shoreline. Timber can be easily cut and shaped to meet site specifications and may be built into a steep shoreline in a variety of manners, depending on a site's needs. For example, timbers cut into rectangular or cylindrical piece could be installed from the bottom of a slope upwards, stacked one upon another, in order to reinforce an eroding slope.

B. Materials

- Timber, typically pressure treated; *see Chapter V for information on using treated wood*
- Reinforcement bars, rebar
- Soil, gravel, or “roadbase” (mixture of rough soil and class 6 gravel), used as fill
- Retaining walls, rip-rap (as needed)

C. Design specifications/variations

- Stairs may be constructed as boxes built on top of one another, ascending a slope, to help reinforce an eroding bank
- The launch area at the base of the stairs needs protection from excessive currents in order to prevent undercutting; large rocks or a vegetative buffer may be used
- Launch area at base of stairs should provide consistent access to the water, during changing water levels; surface should be sturdy and able to withstand varying flows
- Handrails are most effective when they are 24" to 32" above the height of the steps; it is important that they not be too high or low for paddlers to be able to use

D. Advantages

- Allows paddlers easier access from a steep or eroding shoreline
- Aesthetically pleasing; less disruptive to “natural” shoreline than concrete
- May be easily and inexpensively repaired, if damaged

E. Disadvantages

- Installation may be costly and may require alteration to shoreline
- May be susceptible to undercutting
- May require maintenance as stairs age and weather

F. Case examples, designs, photos

1) Fisherman's Bridge, Arkansas River, Salida, Colorado

Problem: The slope at this popular raft and kayak launch site is very steep and vulnerable to erosion. In order to access the river, paddlers had to slide down the bank, which contributed to erosion problems.

Solution: A 15 foot-wide timber staircase, with a metal slide for rafts and boats, was installed into the slope. Parallel metal bars running down the center of the staircase provide allow paddlers and rafters to slide boats and rafts to the water below.

Construction of the staircase was designed to maximize bank stabilization. Each stair level consists of a timber box filled with "roadbase," a mixture of rough soil and class 6 gravel. Boulders placed around the launch area, at the base of the staircase, provide protection from undercutting.



Photo by Caroline Wolf

Photo 9A: Timber stairs and metal boat slide facilitate access from a steep bank



Photo by Caroline Wolf

Photos 9B, 9C: Two views of staircase at Fisherman’s Bridge from the river



Photo courtesy of Arkansas Headwaters Recreation Area

Diagram 9A: Design for Fisherman's Bridge (Page 1 of 2)

Courtesy of Arkansas Headwaters Recreation Area

TYPICAL PROFILE OF BOAT ACC

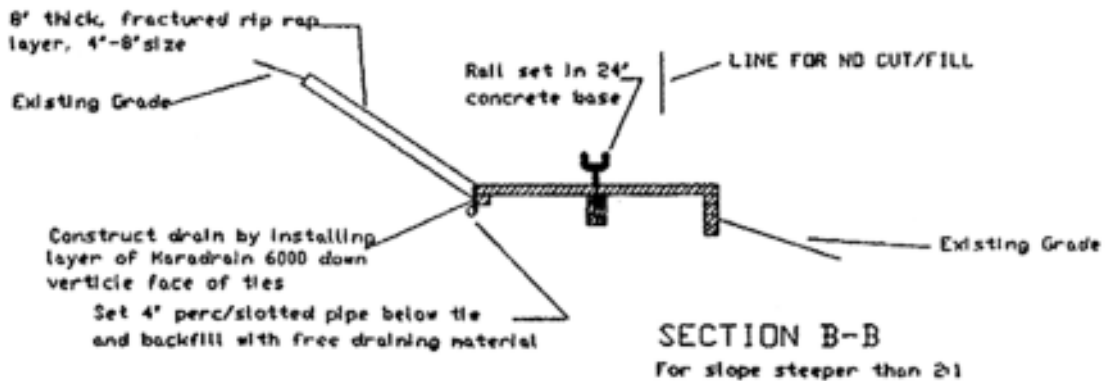
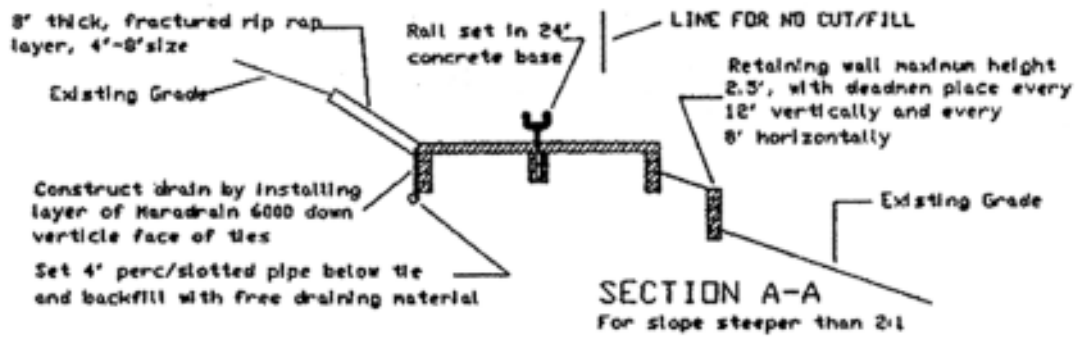
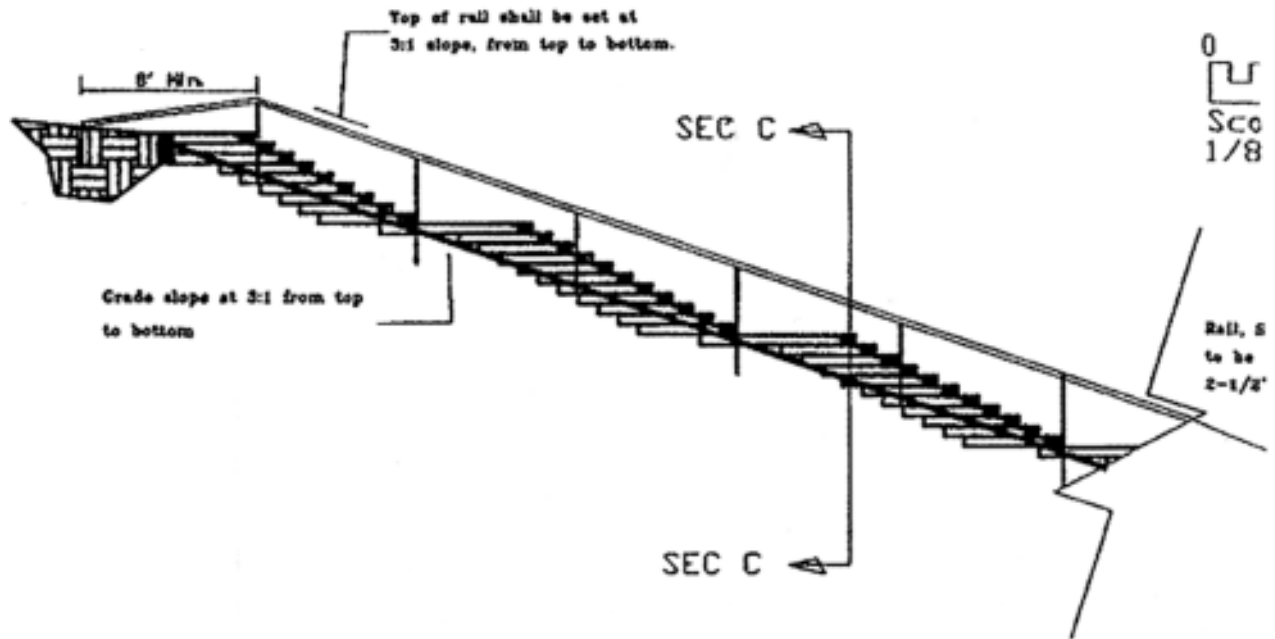
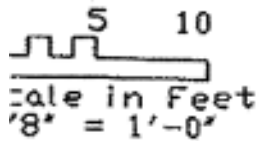


Diagram 9B: Design for Fisherman's Bridge, continued (Page 2 of 2)

Courtesy of Arkansas Headwaters Recreation Area

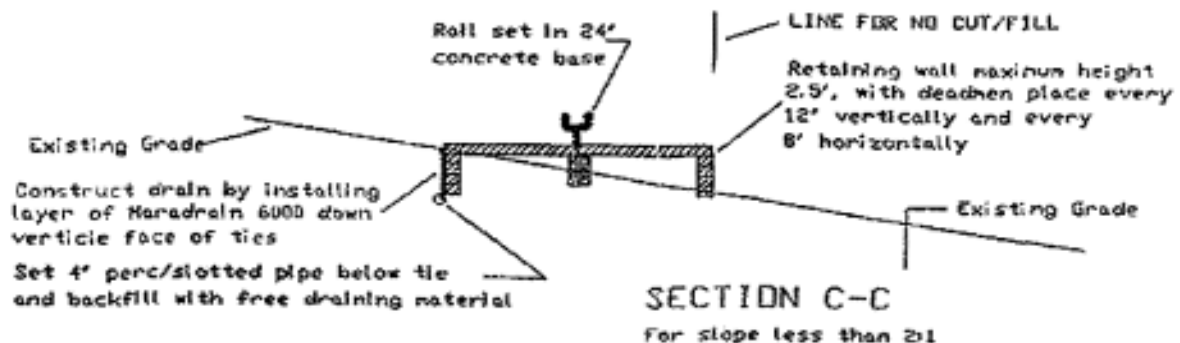
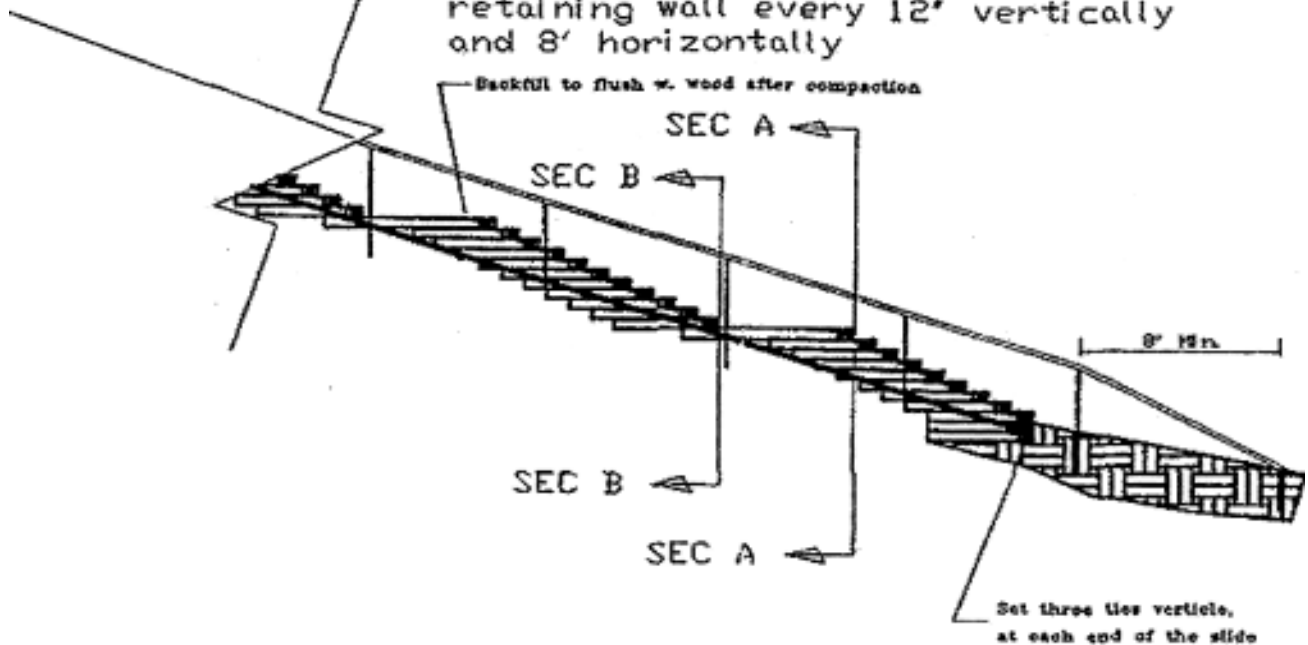
ACCESS SLIDE



NOTES:

1. Upstream slide has 73 steps
Downstream slide has 97 steps
2. Slide subgrade to be at graded to 3:1
- 3 Tread = 12' & Riser = 6'
- 4 Step width to be 12'
- 5 Rail height to be 18"-42"
6. 3/4", #5 Reinforcement bars, 24" long will be placed every 36" on wood ties, and at all corners.
7. Timber to be 6"x8" & CCA presure treated
8. All retaining walls will have maximum height of 2.5'
9. 8' long deadmen will be place in retaining wall every 12' vertically and 8' horizontally

1. Supports, and Posts to be schedule 40 steel pipe, 1/2" O.D. or approved equal



2) Concept drawings for White Rock Park, Colorado River, La Grange, Texas

This staircase leading to a canoe launch below a 40' cutback along the Colorado River was never constructed. However, the following designs for the staircase offer an effective solution to providing access along an extremely steep bank.

**Diagram 9C: Section view of proposed staircase to canoe launch area
Concept drawing for White Rock Park**

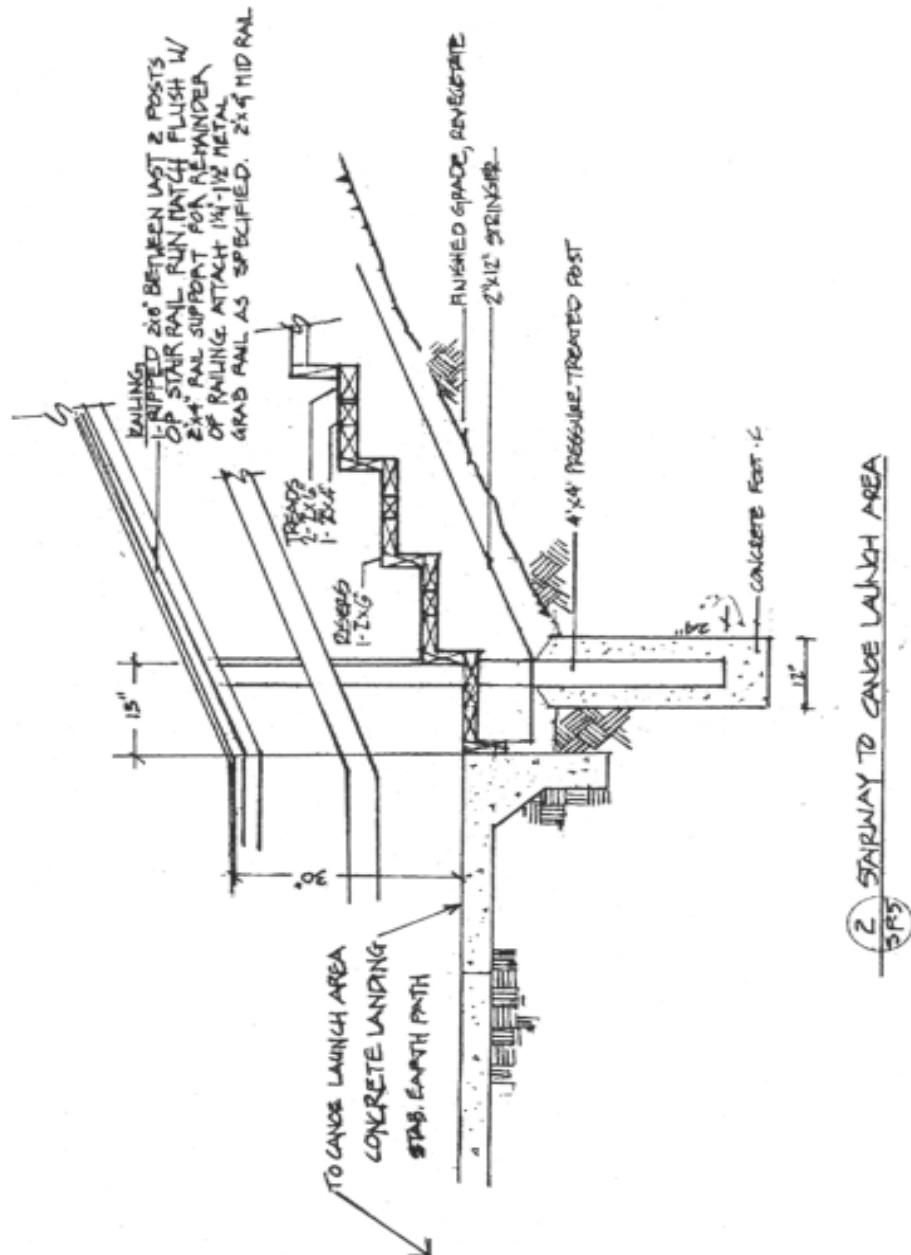
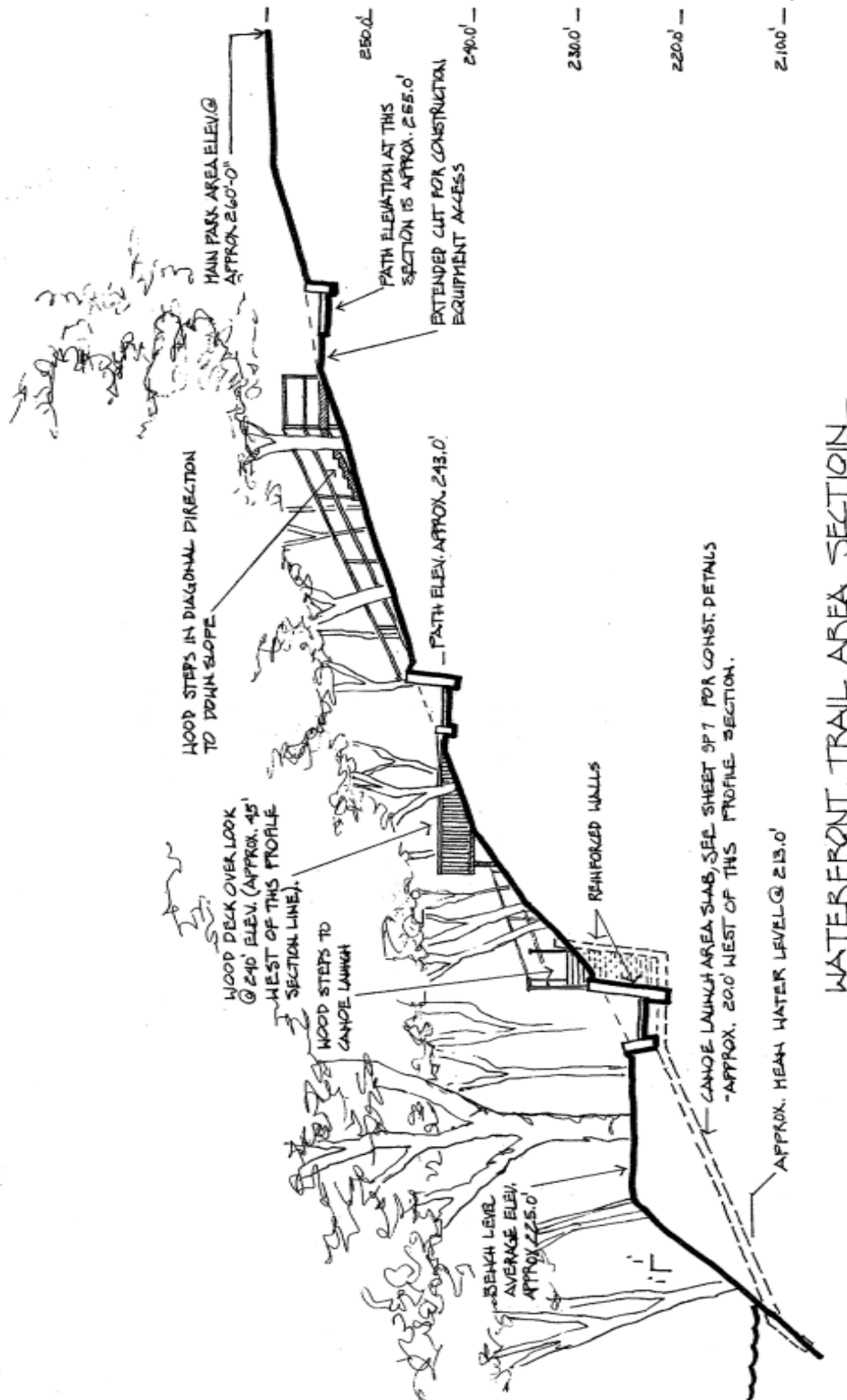


Diagram 9D: Section elevation of staircase leading to canoe launch
Concept drawing for White Rock Park



WATERFRONT TRAIL AREA SECTION

3) Jump Rock launch site, Arkansas River, Salida, Colorado

Jump Rock, another site along the Arkansas River, has a stairway constructed of 8" x 8" x 8' treated timbers. On the steeper part of the hill the timbers are placed close together with the tread and rise at 8" in some areas. As the hill becomes less steep, the tread increases but the rise remains at 8" in order to reduce erosion and need for maintenance. At the top of the hill, where it is least steep, the tread and rise decrease to the point where the top few stairs are relatively shallow.



Photo courtesy of Arkansas Headwaters Recreation Area

Photo 9D: Rectangular timber stairs with varying treads provide access to steep shoreline while helping to mitigate erosion

4) Thompson River, British Columbia



Photo courtesy of Thomas O'Keefe

Photo 9E: Rounded timbers serve as staircase for paddlers

ROCK STAIRCASES

- 1) Rock steps at Whitechuck launch, Sauk River, Washington



Photos 9F, 9G: Rock staircase provides river access with a “natural” appearance



Photos courtesy of Thomas O'Keefe

2)

Rock steps at Parkdale launch, Arkansas River, Salida, Colorado



Photo courtesy of Arkansas Headwaters Recreation Area

Photo 9H: Rock staircase reinforced with rip-rap form a simple staircase to launch area

CHAPTER X:

PORTAGES AROUND DAMS

A. General Description

Portages are land routes used by paddlers to transport their boats to and from a launch area or between access sites. Often located along water bodies where dams or other obstructions interrupt a paddling route, portages can provide direct access to areas of water beyond these obstacles. Portages can also serve as detours around difficult sections of water that paddlers choose not to run, and they may serve as navigable connections between lakes or other bodies of water, helping to create a continuous paddling route. While this chapter discusses designs for portages around dams, the information provided may be applicable to portages in each of these settings.

B. Materials

Portages can be simple routes, such as trails made of soil, gravel, or asphalt, or they may be built structures, such as staircases with chutes or slides. The materials used and amount of construction necessary will depend on circumstances at an individual site. These may include shoreline configurations, frequency of usage, dam ownership, and available funds.

Signage is crucial to making a portage visible to paddlers and to informing paddlers about potential hazardd on the water. Regardless of their visibility from the water, portages should be clearly marked in order to provide paddlers with sufficient time to reach the shore and take out. Having clear and appropriate signage can also help discourage paddlers from attempting to clear a low head dam or spillway. For guidance on developing appropriate signage along water trails, including details on sign specifications, a helpful resource is *Publishing Trail Guidance: Maps and Guides, Guidebooks and Signs* (North American Water Trails, 2002).

Some dam owners have installed signage to educate paddlers about potential dangers; however this is not always the case. Dams for hydropower use may be required to have signage. The Federal Energy Regulatory Commission (FERC) provides regulatory oversight to help develop and maintain safe hydro-power projects and considers designated and well-marked portages to be crucial measures enabling paddlers to travel safely from the top to the bottom of a dam.

Licensing requirements issued by FERC require hydropower applicants to review recreational needs in the areas around their facilities. Licensees may be required to supply public recreational facilities during the term of the license. For further information on the relationship between hydropower relicensing and recreational liability, see “Hydropower Relicensing and Recreational Liability” in *American Whitewater Journal* (May/June 2001).

Essential safety information that includes a discussion of signage may be found in *FERC Guidelines for Public Safety at Hydropower Projects*, available online at: [http://www.ferc.gov/industries/hydropower/safety/signage/Appendix_B/FERC%20Safety%20Guidelines%201992%20\(web%20version\).pdf](http://www.ferc.gov/industries/hydropower/safety/signage/Appendix_B/FERC%20Safety%20Guidelines%201992%20(web%20version).pdf)

The FERC website <http://www.ferc.gov/industries/hydropower/safety/signage/portages/web/portages.htm> also provides examples of effective signage.

C. Design specifications/variations

According to *FERC Guidelines for Public Safety at Hydropower Projects*, a portage should not be located within 300 feet of a dam, spillway, or powerhouse.

The following general recommendations for portage areas are gathered from several sources, including an April 2003 assessment of the Trinity River in Texas (see their website at http://www.trinityrivervision.org/Final%20Report/3_Recreation.PDF for more information).

An effective portage should include:

- Clear, well-marked signage allowing paddlers sufficient time to reach shore before take out
- A path at least 2' wide around the dam, with a slope no steeper than a 1:3
- *An ADA accessible portage cannot have a slope that exceeds 8.33% or 1:12*
- At least 8' overhead clearance on the path and 4' to 8' clearance on either side
- A vertical distance of 12" or less between the height of boat and shore
- A route that minimizes the distance that paddlers must carry their boats
- Access points located on inside bends or areas of calm water
- An escape path downstream from portage, when possible, giving paddlers an additional area to egress the water if they miss a take out or portage

D. Advantages

- Provides defined and safe routes around dams and other structures that can be obstacles for paddlers, as long as they are well located and clearly marked
- Enables paddlers to navigate a somewhat continuous route along a water trail
- Gives paddlers designated routes to transport their boats between parking areas and launch sites
- May prevent damage to riparian or other sensitive areas by directing paddlers to a designated route
- Offers paddlers an opportunity for additional exercise!

E. Disadvantages

- May not be easy for paddlers to manage while transporting their boats, if portages have a steep slope, uneven surface, or limited space
- May not provide paddlers with sufficient time or space to take out – especially if currents or winds are strong – if portage is located immediately upstream of a dam or other obstruction
- May be difficult to locate or access when not clearly marked

F. Case Examples, designs, photos

1) Little Quinnessec Falls Hydroelectric Dam, Menomonee River, Wisconsin

The Menomonee River serves here as the border between Wisconsin and Michigan. This site is a busy spot for local paddlers and whitewater guide services that offer trips down the river. Before the Menomonee River was dammed at this spot, Little Quinnessec Falls was a small waterfall. The existing dam now has a net head of approximately 67 feet.

The kayak and whitewater raft put-in is located about 1/8 mile downstream of the dam on the Wisconsin side. While there is no built launch structure, the area is designed to accommodate portaging. Restrooms, an asphalt path, and a parking area (with an overlook about 20' feet above the river) have also been installed. The portage trail, which is 10' to 12' wide, is composed of natural ground cover with wood chips added to reinforce problem areas. Its slope is steep, so the path curves to gradually reduce the grade. The asphalt path leading from the parking area to the river is 6' wide and has a slope of about 12%, which is the lowest grade that could be constructed at this site in attempt to meet ADA accessibility standards.

The access site has a medium size layer of fractured rock rip-rap from a local quarry and edges are protected with rip-rap and filter fabric, an impermeable mesh material that prevents both runoff and sediment from passing through. Smaller “pea gravel” rocks abut the asphalt path so that barefoot paddlers do not cut their feet

The shoreline adjacent to the put-in, which extends further into the river, protects the access area from direct flows coming from the hydroelectric plant. However, since the put-in sits immediately downstream of the dam, it can be inundated during periods of heavy rains or with dam releases, when water exceeds the normal range of river flows. Water below the dam can rise to about six feet in the area of the put-in, which can submerge the lower third of the asphalt path for short periods of time each year.

Photo 10A: Little Quinnessec Falls portage trail, made of natural ground cover with wood chips



Photo courtesy of Mark Anderson
Consolidated Water Power Company

Diagram 10A: Blueprint for Little Quinnesec Falls View of canoe launch area and portage trail

Blueprint courtesy of Mark Anderson, Consolidated Water Power Company

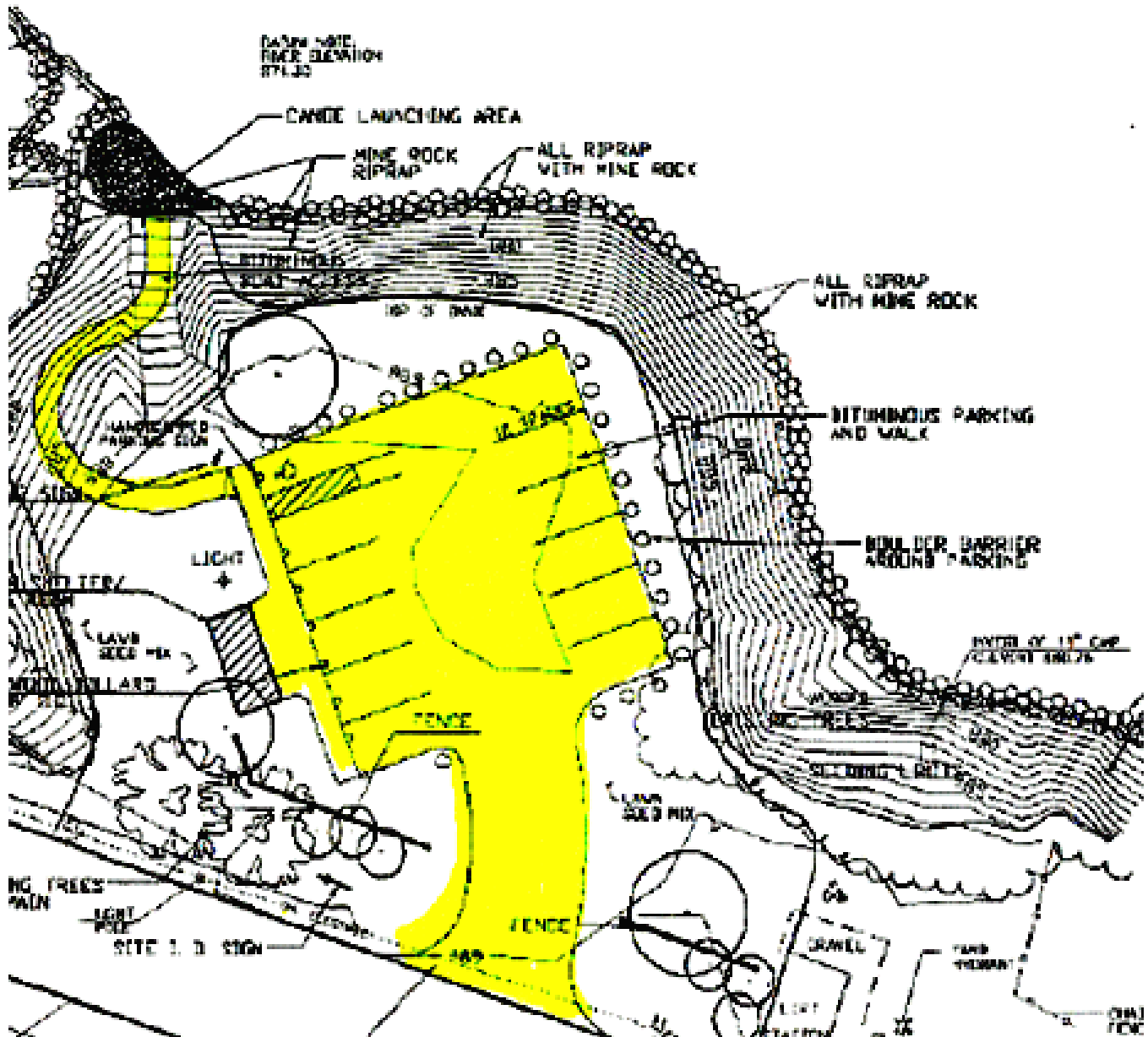


Photo 10B, 10C: Asphalt path leading to launch area below Little Quinnesec Falls Dam



Photo 10D: Little Quinnesec Falls launch area, reinforced with fractured rock riprap



All photos courtesy of Mark Anderson
Consolidated Water Power Company

2) **Pejepscot River Access, Androscoggin River, Lisbon Falls-Brunswick, Maine**

One of the largest rivers in Maine, the Androscoggin hosts 28 dams along its 170 river miles. Not all of the dams have navigable routes around them; some require excessively long portages or do not provide access at all. Other dams have portage trails that provide access both upstream and downstream. Most portage trails are marked with signs, however dam warnings are not easily visible on all sections of the river.

The Pejepscot River Access, downstream of Lisbon Falls, offers a solution to launching from a steep, rocky, and unstable shoreline where boulders, rock fragments, and fallen tree limbs make river access a challenge. Take-out occurs just above the dam, and a short portage through the woods connects paddlers with access just below the dam. A metal staircase, with a handrail on one side and a carpet-covered wooden slide on the other, enables paddlers to easily maneuver their boats down to the water. The carpet provides traction and helps to protect boat bottoms from damage. The staircase leads to a rocky, but sturdy and level launch area at the water's edge.



Photo courtesy of Julie Isbill

Photo 10E: Metal staircase with boat slide facilitates river access from a steep, rocky shoreline



Photo 10F: Detail of metal staircase, wooden boat slide, and handrail



Photos courtesy of Julie Isbill

Photo 10G: View of launch area from top of staircase



Photo courtesy of Julie Isbill

Photo 10H: Signage identifies portage trail on the Androscoggin River

- 3) Boat slide, portage to White Salmon River, Washington



Photo courtesy of Thomas O'Keefe

Photo 10I: Parallel metal bars serve as a boatslide while designating the portage trail

4) Low-head dam, Arkansas River, Salida, Colorado

Problem: A six-foot, low-head dam posed danger to paddlers and prevented upstream passage.

Solution: A chute was created on the river, just east of the dam. The six-foot drop was leveled into three separate two-foot drops, creating a navigable whitewater hole and enabling fish to travel upstream. Pad-



Photo 10J: Low-head dam poses an obstacle to paddlers



Photo 10K: Whitewater chute, installed just east of dam, offers paddlers rapids on three 2' drops

Photos by Caroline Wolf

5) Niobrara River, Nebraska



Photo by Tim Palmer

Photo 10L: Take-out is situated in dangerous proximity to the dam

CHAPTER XI:

LOW-IMPACT DESIGNS FOR ENVIRONMENTALLY SENSITIVE AREAS

The following designs do not fit exactly in the previous chapters, however they are important models to consider when working with access sites located in environmentally sensitive areas. Although developing a launch site in these areas is strongly discouraged, there may be situations where no alternative access points are available.

ELEVATED WALKWAYS

A. General Description

Elevated walkways are raised structures that allow paddlers to access launching areas without having direct contact with the ground. They are effective in minimizing potential impacts from recreational use on riparian habitats, fragile shorelines, or other sensitive environmental areas. While providing a stable surface, elevated walkways can prevent erosion, protect existing vegetation, and be used to promote revegetation of damaged areas. Many of these structures are light-penetrating walkways, which allow vegetation beneath them to receive the sunlight necessary for growth.

B. Materials

Typically constructed from expanded metal, aluminum, fiberglass, or wood, elevated walkways allow plants to grow through their grated surfaces. They are most effective when used with tripods or other above-ground supports. These can include posts that are driven into the bank, however posts should not be installed too close to the edge of the bank as this may contribute to erosion. If a ladder is used, it should have minimal contact with the bank or shoreline vegetation at all water levels. Shorter walkways are preferable so that wildlife may access water easily.

C. Design specifications/variations

Elevated walkways can be used in a variety of ways. They may be combined with other walkways or connecting structures to provide access to floating or other types of launches; they may be attached to stairs or ladders that lead to launch structures or rest on the bottom of a river or lake; or they can be cantilevered over a river while supported by a tripod. Manufacturers offer materials that meet ADA accessibility standards.

More information on elevated walkways is available online on Alaska Fish and Game's website at: <http://www.sf.adfg.state.ak.us/sarr/restoration/techniques/walkways.cfm>

GEOTEXTILE MATS AND BLOCKS

A. General Description

Geotextile mats or blocks are light-weight, plastic mats composed of open cells that allow water to pass through to vegetation below. Since they enable access in environmentally sensitive areas without significantly disrupting riparian habitats or vegetation, they are often used near lakes or reservoirs or to access the water from marshy areas.

B. Materials

Commercial products such as the Geoblock porous pavement system offer a flexible support system that can support heavy weight while protecting vegetation. Composed of recycled polyethylene, individual Geoblock mats typically measure 20" x 40" x 2" and fasten together with ¾" screws. Interlocking mats are stabilized by topsoil or vegetative material spread into the cells. Grass can be also used at sites that see low to moderate use. Rip-rap or fist-sized gravel can provide a smooth surface for walking and also serve as reliable anchors.

C. Design specifications/variations

- Proper anchoring of mats and blocks is essential, as erosion can cause them to separate and scatter in the water, potentially becoming dangerous strainers in the water downstream.
- In areas that become submerged, gravel can be added into cells in order to add weight and anchor them in place. See website at <http://www.prestogeo.com> for more detailed specifications.

D. Advantages

- Are light-weight
- Are made of recycled polyethylene
- Allow light to penetrate (40% open area per panel)
- Will not leach chemicals into water or surrounding riparian area
- Will not rot
- Have tread width of 20"

E. Disadvantages

- Can be more expensive than other materials
- Require the use of special tools
- May take longer to install than other materials
- Can create potentially dangerous strainers, down river or elsewhere on a water body, if erosion causes blocks to separate and scatter in the water

F. Case Examples, designs, photos

1) Deal Island Wildlife Management Area, St. Peters Creek, Somerset County, Maryland

Constructed as part of a traditional boat launch for motorized boats, this “soft” launch was built using Geoweb cellular confinement material filled with pea gravel. The launch serves a dual purpose of providing separate access to paddlers and stabilizing the shoreline from erosion.

Specifications

- *Dimensions:* Geocell is 8' wide x 16' long x 6" thick
- *Anchor:* Geocell is filled with #67 pea gravel, naturally rounded with no sharp edges; placed on a 4" thick compacted layer of CR-6
- *Slope:* 1:8, from an elevation of +1.5' down to an elevation of -.5'



Photo 11A: Geocell material provides paddlers with a “soft” launching alternative to a traditional boat launch

Photos 11B: Geocell material anchored with pea gravel offers low-impact access while helping to stabilize an eroding bank



Photos courtesy of Maryland Department of Natural Resources

2) **Historic canoe launch, Fort Clatsop National Memorial
Lewis and Clark River, near Astoria, Oregon**

The historic canoe launch at Fort Clatsop National Memorial, along the Lewis and Clark River, is an example of a site located in an environmentally sensitive area that cannot be moved, given its role in the historic and cultural landscape. Fort Clatsop was the site from which Lewis and Clark launched on their return journey east in 1804. Moving the launch would alter the site's historic accuracy, as well as the vistas important to the character and experience of the site.

Although the launch is used primarily for display purposes and is not open for public use, the environmental challenges posed at this site resemble those at many public launch areas.

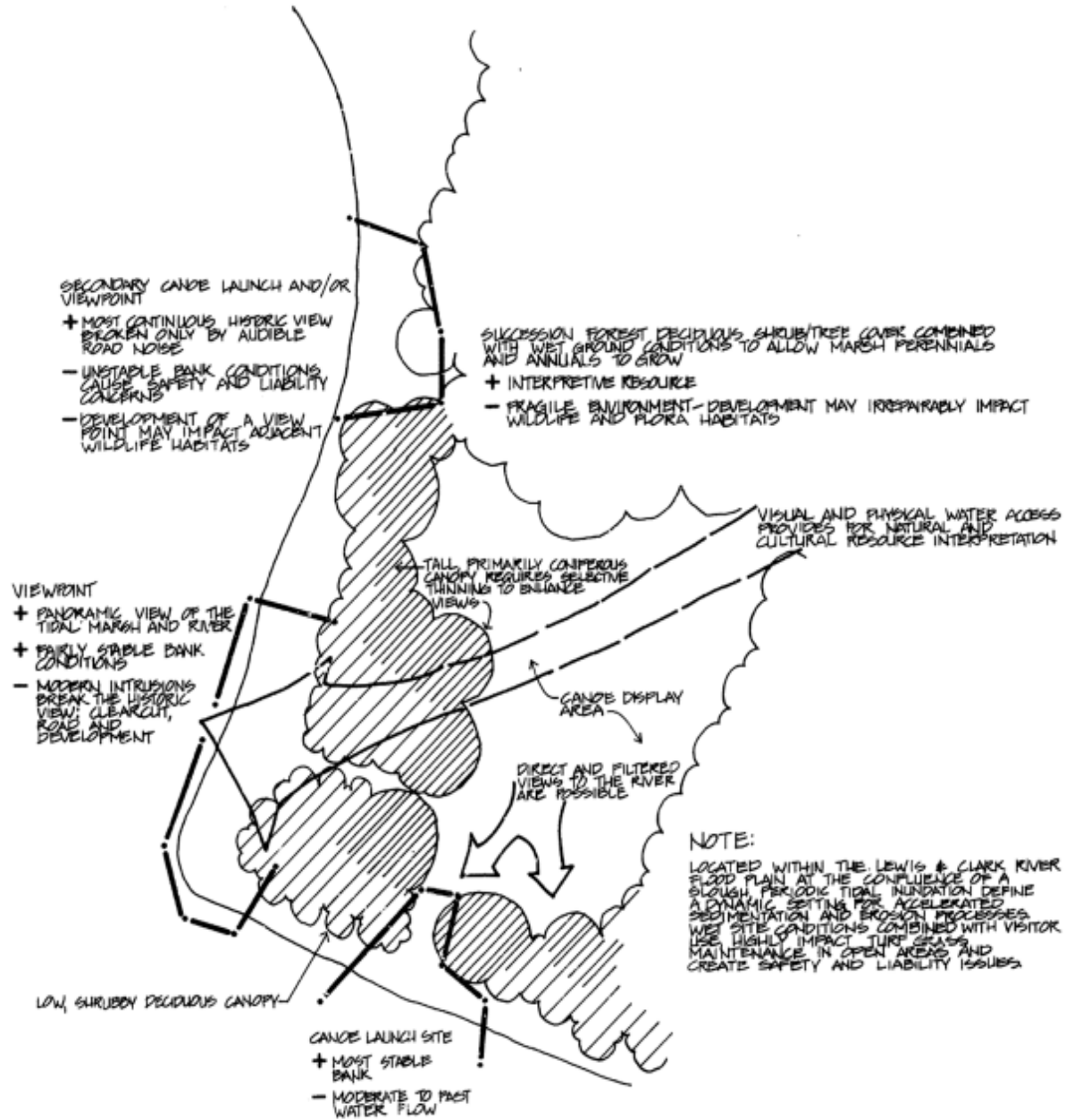
Problem: Situated on an exposed area of a tidal river, the main challenges to the longevity of the launch are impacts of erosion, wind, and heavy flows. Additionally, due to its location on a bend of the river, the landing is vulnerable to lateral flows caused by the dramatic changes in direction and curvature on this part of the meander.

Solution: Through detailed site analyses, assessments were made of the site that accounted for current and future trends in channel morphology and behavior, as well as the effects of sedimentation and erosion patterns. Due to the vulnerability of the canoe landing's location and exposure to strong winds and currents, it was determined that this site needed "erosive resistant features," such as a vegetation buffer, to offer protection and stabilization to the landing.

A beach area on the south side of the landing has been designated as a public launch site that will be open as of June 2004. The site may be not used at all times, however, due to the tides. Paddlers may launch at high tide only, as the area becomes too muddy for launching at low tide. Paddlers will need to carry their boats to the beach site while walking on a concrete path from a parking area located just north of the site.

DIAGRAM 11A: Site evaluation of Fort Clatsop, showing both development opportunities and constraints, Fort Clatsop National Memorial

Design provided by NPS, Denver Service Center



SITE EVALUATION

LEGEND

- + DEVELOPMENT OPPORTUNITIES
- DEVELOPMENT CONSTRAINTS



SCALE 1"=20'-0"

DIAGRAM 11B: Site analysis of river morphology, shore configuration and sedimentation/erosion patterns, Fort Clatsop National Memorial

Design provided by NPS, Denver Service Center

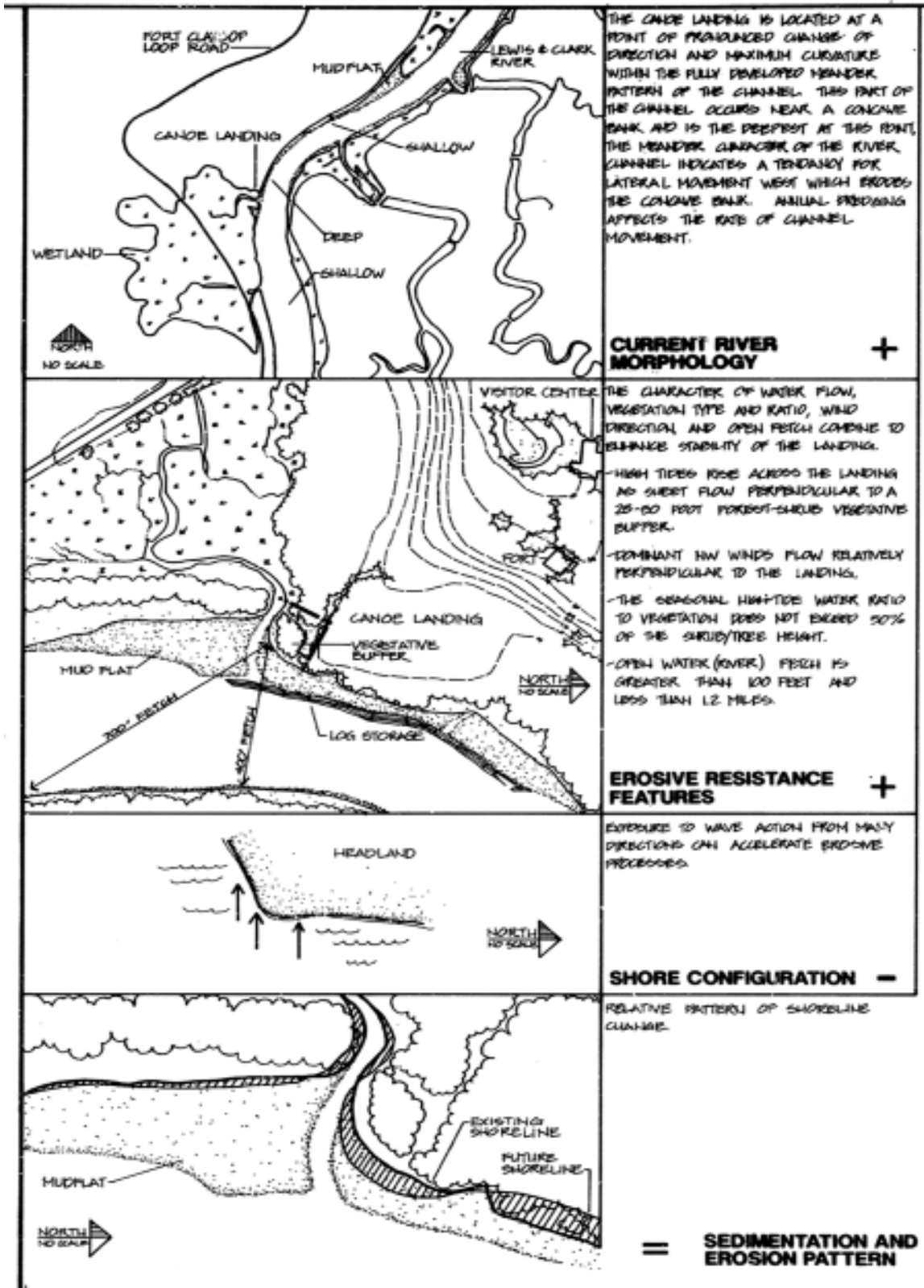
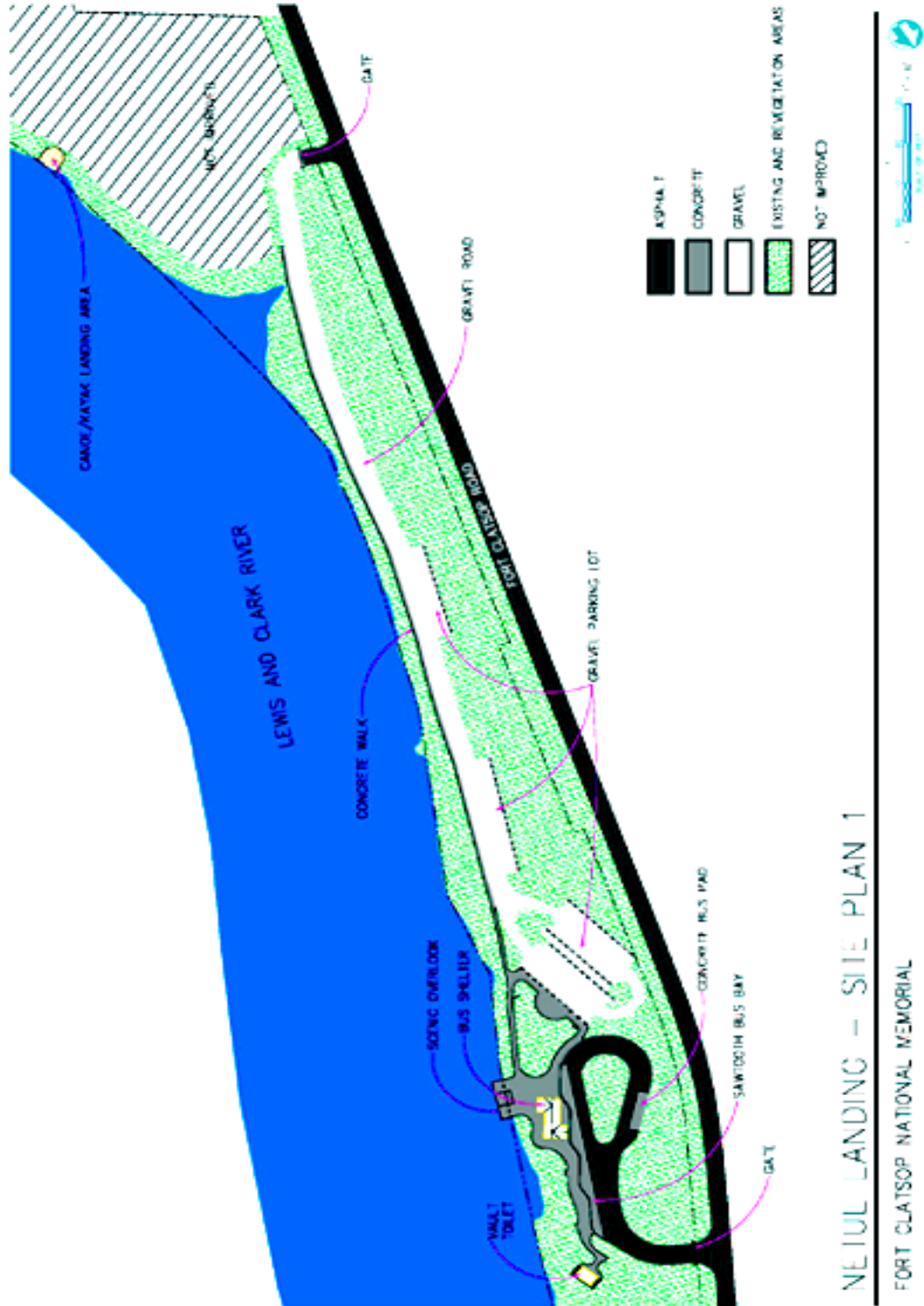


DIAGRAM 11C: Site plan for Netul Landing, new public launch at Fort Clatsop

Design provided by Jill Harding, Fort Clatsop National Monument



NOTES

INDEX OF CASE EXAMPLES, DESIGNS, PHOTOS

Case examples

Chapter III

- 1) Bonnie Gool Guest Dock, Humboldt Bay, Eureka, CA 21
- 2) Camp for All accessible canoe launch, Burton, TX 26
- 3) "F" Street Floating Dock, Humboldt Bay, Eureka, CA 26

Chapter IV

- 1) Rincon launch site, Arkansas River, CO: rock beach access 30
- 2) Clear Creek, CO: level bank access 31
- 3) Clear Creek, CO: rock outcrop access 31
- 4) Missouri River, NE: sandy beach access 32
- 5) Sauk River, WA: gravel road access 32
- 6) Delaware River, NY: sandy bank access 32
- 7) Arkansas River, Salida, CO: restored bank with rock outcrop access 33

Chapter V

- 1) Newport Boat Ramp, Christina River, DE: floating launch, transition plates ... 38-43
- 2) South Prong River, NC: floating launch attached to boardwalk 44-49
- 3) Annsville Creek, Hudson River, NY: modular polyethylene launch 50-52
- 4) Janes Island, Dougherty Creek Canal, MD: polyethylene floating launch 55-56

Chapter VII

- 1) Cantilever launch, design from MN DNR 59-60

Chapter VIII

Ramps

- 1) Wolf Creek, MT: concrete ramp used to mitigate erosion 63-64
- 2) Salida Boat Ramp, Salida, CO..... 65
- 3) Everglades, FL, corrugated concrete ramp 66

Stairs

- 1) West Virginia DNR: concrete staircase with wooden boat slide..... 68-72
- 2) White Rock Park, Colorado River, TX : ADA accessible route to staircase 73-76
- 3) Confluence Park, South Platte River, Denver, CO 77

Concrete mats

- 1) York Bridge, Missouri River, MT: alternative paddler access 80
- 2) Stickney Creek, MT: concrete mat installation 81

Concrete strip

- 1) Hecla Junction, Arkansas River, CO: strip used to divert heavy flows 83

Chapter IX

Timber staircases

- 1) Fisherman's Bridge, Arkansas River, CO: timber staircase with boat slide 86-89
- 2) White Rock Park, Colorado River, TX: timber staircase (concept) 90-91
- 3) Jump Rock, Arkansas River, CO: timber staircase on steep bank 92
- 4) Thompson River, British Columbia: timber staircase 92

Rock staircases

- 1) Whitechuck launch, Sauk River, WA: rock staircase 93
- 2) Parkdale launch site, Arkansas River, CO: rock staircase 94

(Index continued)

Chapter X

- 1) Little Quinnesec Falls Hydroelectric Dam, Menomonee River, WI 97-99
- 2) Pejepscot access, Androscoggin River, ME: staircase with boat slide 100-02
- 3) White Salmon River, WA, boat slide and portage trail..... 102
- 1) Salida low-head dam, Arkansas River, CO: whitewater chute beside dam..... 103
- 2) Niobrara River, NE: take-out in close proximity to dam..... 104

Chapter XI:

- 1) Deal Island, St. Peter's Creek, MD: low-impact geotextile mats 107
- 2) Fort Clatsop National Memorial and Netul Landing, OR 108-11

Designs

Chapter III

- 3A-3D: Bonnie Gool Guest Dock, design details of ADA accessible launch 22-25

Chapter V

- 5A-5E: Newport Boat Ramp, Christina River, DE: designs for launch 39-43
- 5F-5J: South Prong River, NC: floating launch connected to boardwalk 46-49
- 5K-5L: Annsville Creek, NY: elevation and plan of polyethylene floating launch 52-54

Chapter VII

- 7A: MN DNR: cantilever launch plan, elevation, and section 60

Chapter VIII

- 8A-8D: WV DNR: designs of concrete staircase with wooden boat slide 69-72
- 8E-8H: White Rock Park, Colorado River, TX 74-76

Chapter IX

- 9A-9B: Fisherman's Bridge, Arkansas River, CO: timber stairs and boat slide... 88-89
- 9C-9D: White Rock Park, Colorado River, TX: concept drawings 90-91

Chapter X

- 10A: Little Quinnesec Falls Hydroelectric Dam, Menomonee River, WI:
blueprint of launch area and portage trail 98

Chapter XI

- 11A: Fort Clatsop National Memorial, site evaluation 109
- 11B: Fort Clatsop, Site Analysis 110
- 11C: Netul Landing, new launch at Fort Clatsop 111

(Index continued)

Photos

Chapter III

3A, 3B: Bonnie Gool Guest Dock, Humboldt Bay, Eureka, CA 21
3C, 3D: Camp for All, Burton, TX: ADA accessible canoe launch, 26
3E: “F” Street floating dock, Humboldt Bay, Eureka, CA 27

Chapter IV

4A: Rincon launch, Arkansas River, CO: rocky beach access..... 30
4B: Clear Creek, Arkansas River, CO: level bank access 31
4C: Clear Creek, Arkansas River, CO: rock outcrop access 31
4D: Missouri River, NE: beach access 32
4E: Sauk River, WA: gravel road access 33
4F: Delaware River, NY: sandy bank access 33
4G: Arkansas River, CO: restored bank with rock outcrops 33

Chapter V

5A-5C: Annsville Creek, NY: polyethylene floating launch 50-51
5D-5F: Janes Island, MD: floating dock attached to bulkheads 55-56

Chapter VIII

8A, 8B: Wolf Creek, MT: concrete ramp to decrease erosion 64
8C: Salida Boat Ramp, Salida, CO: 65
8D: Corrugated concrete ramp, Everglades, FL 66
8E: White Rock Park, Colorado River, TX: ADA accessible route to staircase .. 73
8F, 8G: Confluence Park, South Platte River, CO: concrete steps 77
8H, 8I: York Bridge, Missouri River, MT: concrete mats 80
8J, 8K: Stickney Creek, MT: concrete mat installation 81
8L, 8M: Hecla Junction, Arkansas River, CO: concrete strip used to divert flow.. 83

Chapter IX

9A-9C: Fisherman’s Bridge, Arkansas River, CO: timber stairs with slide 86-87
9D: Jump Rock, Arkansas River, CO: timber staircase 92
9E: Thompson River, British Columbia, timber staircase 92
9F, 9G: Whitechuck launch, Sauk River, WA: rock staircase 93
9H: Parkdale launch, Arkansas River, CO: rock staircase 94

Chapter X

10A: Little Quinnesec portage trail, Menomonee River, WI 97
10B-10D: Little Quinnesec path and launch area 99
10E-10G: Pejepscot access, Androscoggin River, ME :staircase with boat slide 100-01
10H: Pejepscot access, Androscoggin River, ME: signage for portage 102
10I: White Salmon River, WA, boat slide and portage trail, 102
10J, 10K: Low-head dam, Arkansas River, CO: whitewater chute around dam .. 103
10L: Niobrara River, NE: take-out in close proximity to dam..... 104

Chapter XI

11A, 11B: Deal Island, St. Peter’s Creek, MD: low-impact geotextile mats 107

BIBLIOGRAPHY

- Access Board. (September 1999). *Proposed Guidelines for Outdoor Developed Areas*. Available online: <http://www.access-board.gov/outdoor/outdoor-rec-rpt.htm>
- Access Board. (June 2003). *Guidelines for Accessible Recreation Facilities*. Available online: <http://www.access-board.gov/recreation/guides/boating.htm> or via email: pubs@access-board.gov
- American Whitewater. (November 2003). *Property Acquisition and Management Guide: The Genesis of a River Access Land Trust*. Available via email: access@amwhitewater.org
- Birkby, Robert C. (1996). *Lightly on the Land: The SCA Trail-Building and Maintenance Manual*. Seattle, WA: Mountaineers Books.
- Brooks, K.M. (1996). Evaluating the Environmental Risks Associated with the Use of Chromated Copper Arsenate-treated Wood Products in Aquatic Environments, *Estuaries* 19(2A): 296-305.
- Burns, Max. (1999). *The Dock Manual*. Pownal, VT: Torey Books.
- Cooper, P.A. (1990). Leaching of CCA from Treated Wood, *Proc. Canadian Wood Preservation Association* II: 144-169.
- Redwood Community Action Agency. (December 2001). *Humboldt Bay Feasibility Study*. Available online: <http://www.rcaa.org/baytrails/> or via email: trails@rcaa.org
- Illinois Department of Natural Resources. (June 1998). *A Guide to Boating and Canoe Access Development*. Available by phone: IDNR's Division of Grant Administration at 217/782-7481
- Kelty, R.A. and S. Bliven. (2003). *Environmental and Aesthetic Impacts of Small Docks and Piers*, Workshop Report: Developing a Science-Based Decision Support Tool for Small Dock Management, Phase 1: Status of the Science, Decision Analysis Series No. 22. Silver Spring, MD: NOAA Coastal Ocean Program. Available online: <http://www.coastalscience.noaa.gov/documents/dockpier.pdf>
- Monlux, S. (2000). *Geosynthetics for Trails in Wet Areas*, Report 0023-2838-MTDC. Washington, DC: USDA Forest Service in cooperation with Federal Highways Administration. Available online: <http://www.fhwa.dot.gov/environment/fspubs/>
- Northeastern Illinois Planning Commission. (1998). *Managing and Restoring Stream Greenways: A Landowner's Handbook*. Available online: <http://medinaswcd.org/GreenwayReport.pdf> or by phone: Northeastern Illinois Planning Commission at 312/454-0400

(Bibliography continues on page 117)

(Bibliography, continued)

- Rosgen, Dave. (1996). *Applied River Morphology*. Lakewood, CO: Colorline or Pagosa Springs, CO: Wildland Hydrology.
- Sanger, D.M. and A.F. Holland. (2002). *Evaluation of the Impacts of Dock Structures on South Carolina Estuarine Environments*, Marine Resources Division Technical Report, Number 99. Charleston, SC: South Carolina Department of Natural Resources.
Available online: <http://www.scdhec.com/eqc/ocrm/PUBS/dockstudy.pdf>
- Smiley, Geoff. (1999). *Canoeing for Disabled People*. United Kingdom: British Canoe Union.
- Trinity River Assessment. 2003.
Available online: http://www.trinityrivervision.org/Final%20Report/3_Recreation.PDF
- United States Department of Agriculture, Forest Service (USDA). (1994). *Landscape Aesthetics: A Handbook for Scenery Management*, USDA Handbook 701. Washington, DC: USDA Forest Service.
- USDA Forest Service Technology and Development Program. (July 2002). *Floating Trail Bridges and Docks*. Available online: <http://www.fs.fed.us/na/wit/WITPages/bridgecatalog/materials/index.htm>
- Weis, P., J.S. Weis, A. Greenberg, and T.J. Nosker. (1992). Toxicity of Construction Materials in the Marine Environment: A Comparison of Chromated-Copper-arsenate-Treated Wood and Recycled Plastic. *Archives of Environmental Contamination and Toxicology*, 22: 99-106.
- Western Wood Preservers Institute. 1996. Best management practices for use of treated wood in aquatic environments. Vancouver, WA: Western Wood Preservers Institute.
Available online: <http://www.wwpinstitute.org/pdffiles/bmpsinaquatic.pdf>
- Wisconsin Department of Natural Resources. (November 1994). *Department Design Standards Handbook*.